

MODULAR COMBINATION UNITS - VAYU™ INTERMEDIATE

FIRST NAME IN PNEUMATICS

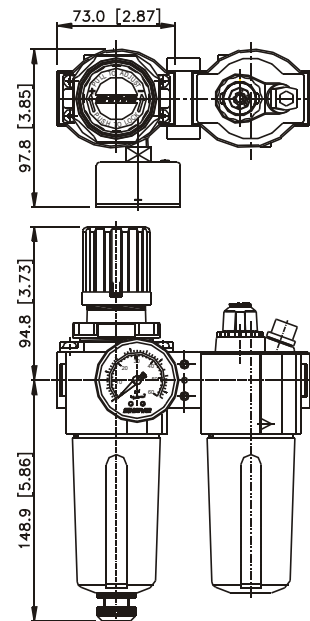
(G¹/₄, G³/₈, G¹/₂.)

FEATURES

- Combinations of filter-regulator and lubricators can be ordered as pre-assembled units.
- Complete control of filtration regulation and lubrication at a single point
- Quick release bayonet bowl.
- Compact Modular Design
- Micro-Mist versions for most general purpose pneumatic applications.



SB20 + SL20



TECHNICAL DATA

- Medium : Compressed air only.
- Inlet pressure : Transparent bowl : 10 bar max.
Metal Bowl : 17 bar max.
- Ambient temperature: Transparent bowls : 50°C
Metal bowl : 80° C
- Consult our Technical Service for use below + 2°C

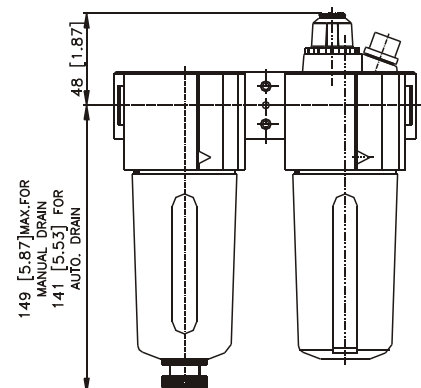
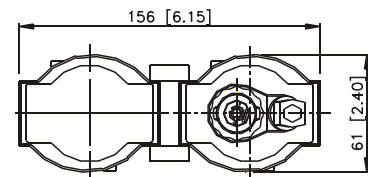
Materials

- Body: Aluminium alloy
- Bowls : Polycarbonate/Aluminium
- Filter Element : Polypropylene/Sintered Bronze
- Elastomers : Nitrile

Accessories

- Wall Mounting Bracket
- Shut-off Valve
- 40 mm Pressure Gauge

SF20 + SL20

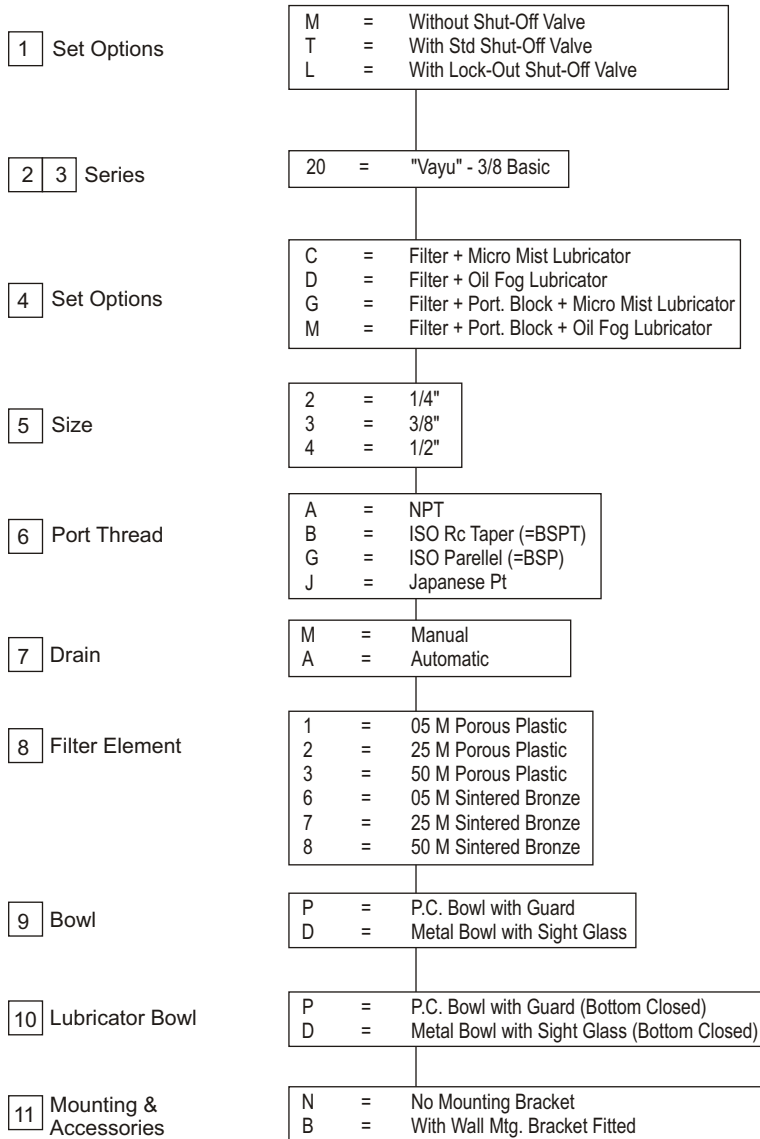
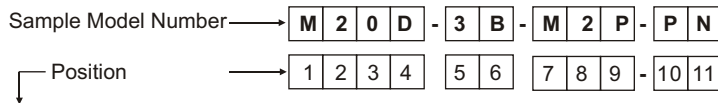


MODULAR COMBINATION UNITS - VAYU™ INTERMEDIATE

FIRST NAME IN PNEUMATICS

(G^{1/4}, G^{3/8}, G^{1/2}.)

Option Selector - F + L



MODULAR COMBINATION UNITS - VAYU™ INTERMEDIATE

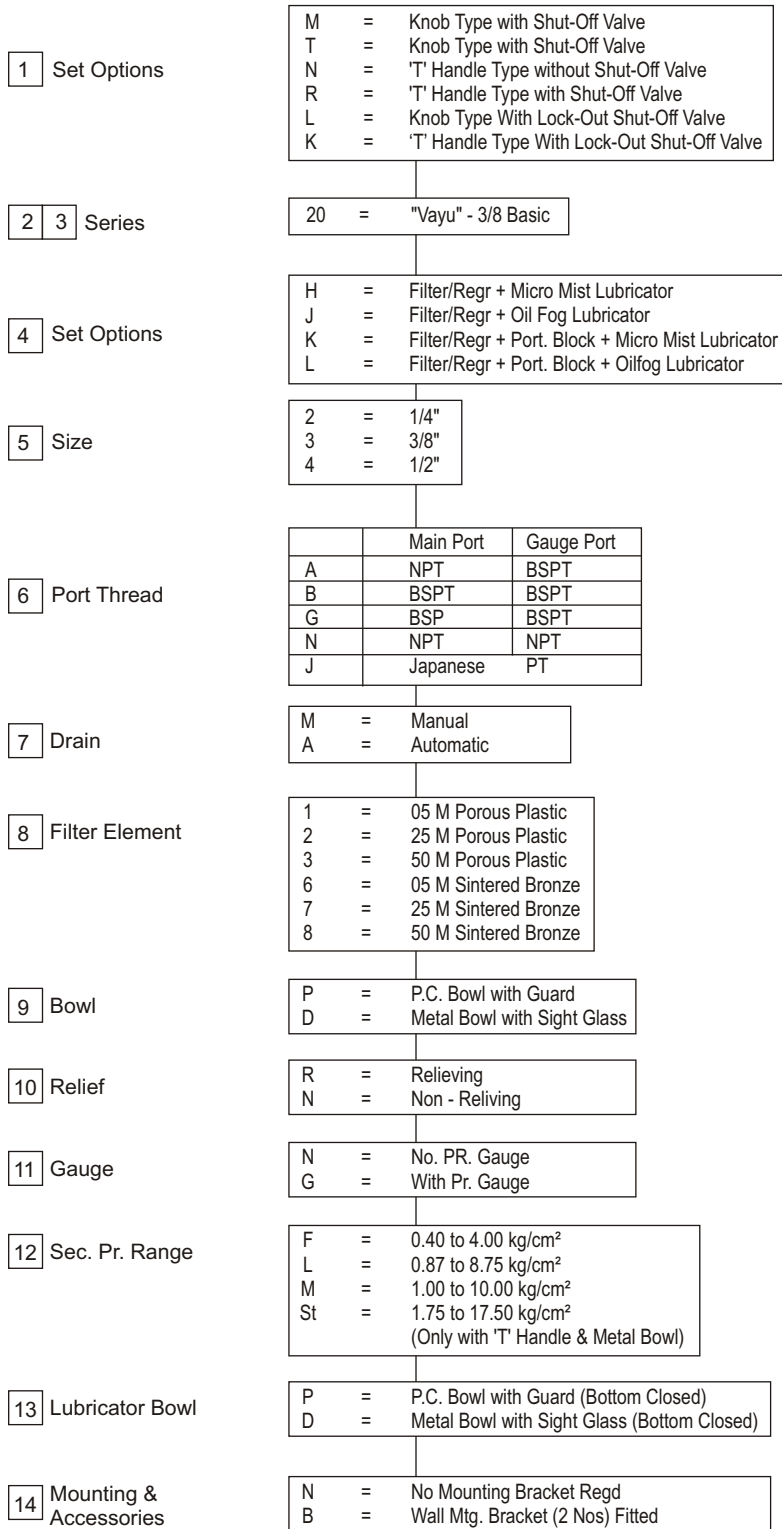
FIRST NAME IN PNEUMATICS

(G^{1/4}, G^{3/8}, G^{1/2})

Option Selector - F/R + L

Sample Model Number → **M 2 0 J - 4 G - M 2 P - R G M - P N**

Position → **1 2 3 4 | 5 6 | 7 8 9 | 10 11 12 | 13 14**



MODULAR COMBINATION UNITS - VAYU™ INTERMEDIATE

FIRST NAME IN PNEUMATICS

(G^{1/4}, G^{3/8}, G^{1/2})

Option Selector - F + R + L

