

COMPRESSED AIR LUBRICATOR - LARGE

SHAVO
FIRST NAME IN PNEUMATICS

SL17 (G1, G1¼, G1½)

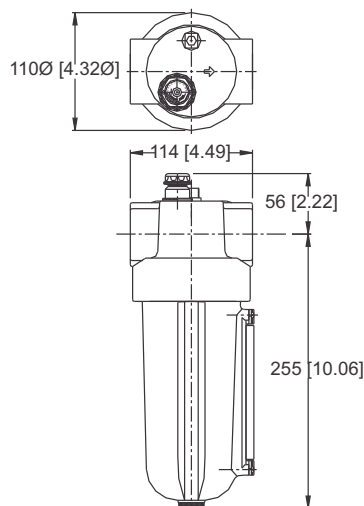
FEATURES

Shavo's Designer Series Large Flow Range Lubricator is useful to lubricate air tools, cylinders, valves, air motors and other air driven devices.

Use Oil-fog model to lubricate a single tool/device or choose 'Micro-Mist' in systems with complex piping or multiple points of lubrication.



PARAMETERS	SPECIFICATIONS
Pipe Threads	G 1, 1¼, 1½ Parallel (F) - Standard
Type	Oil-Fog / Micro - Mist
Body Material	Al. Alloy die-cast
Bowl Material	Al. Alloy Metal with sight glass - Standard
Bowl Capacity	1 litre
Maximum Inlet Pressure	250 psig (17.5 bar)
Maximum Operating Temperature (ambient)	80°C
Standard Nominal Flow Rate at 6 bar (87 PSI) supply pressure and 1 bar (14.5 PSI) Pressure drop	590 scfm (278 dm³/sec) CV(11.10)
Minimum reqd flow (at 87 psi inlet)	7.2 scfm Use any misting type oil rated 50 - 200 SSU
Recommended Lubricants	(ISO grade 7 - 46) at 38° C Use oils which are compatible with the material of construction.



Technical know-how, design and drawings originally from C.A. Norgren Co. USA

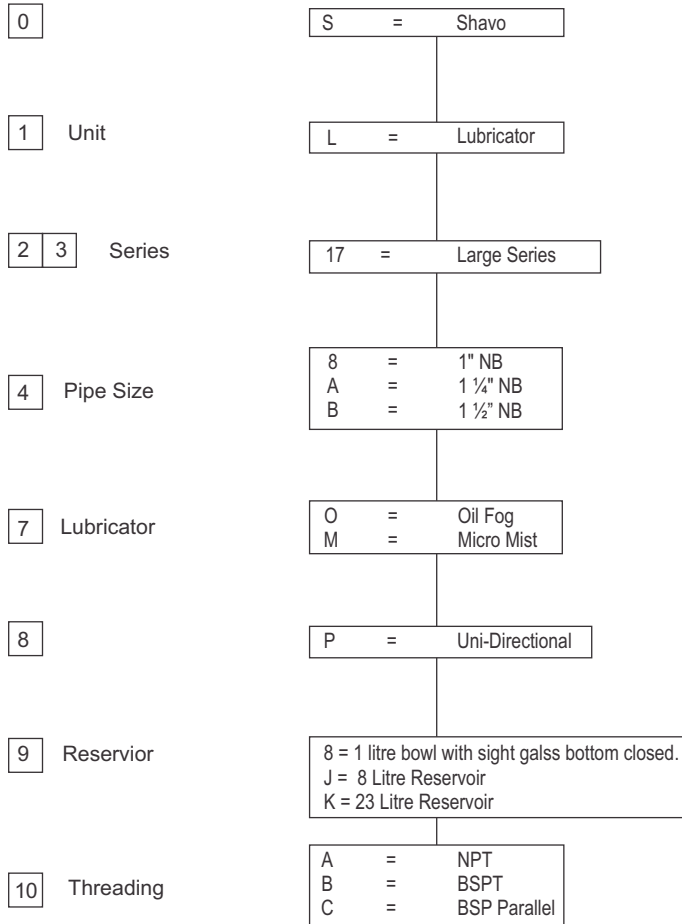
SL17 (G1, G1¼, G1½)

Size	Flow (scfm)	Start point (dm³/s)	Bowl	Bowl Capacity	Model
G 1	590 scfm (278 dm³/sec)	7.2 scfm (3.4 dm³/sec)	Metal	1 Litre	SL17-800-OP8C
G 1 ½					SL17-B00-OP8C
G 1	590 scfm (278 dm³/sec)	7.2 scfm (3.4 dm³/sec)	Metal	1 Litre	SL17-800-MP8C
G 1 ½					SL17-B00-MP8C

Option Selector

Sample Model Number → **S L 1 7 8 0 0 O P 8 C**

Position → **0 1 2 3 4 5 6 7 8 9 10**



Technical know-how, design and drawings originally from C.A. Norgren Co. USA