

SF60V (G 1/4, 3/8, 1/2, 3/4,1)

Features

- Shavo's Vapour removal Filter are Ultra high efficiency - medium flow units.
- Activated carbon pack acts as an absorbant to assist in the removal of hydro carbon gases and also absorbs any oil carry over in the event of any malfunction.
- Quick release bayonet bowl.
- CE, ATEX, EAC[CU TR10(equivalent to GOST R&K)] approved.
- SIL 3 capable as per IEC 61508.

PARAMETERS	SPECIFICATIONS
Fluid	Compressed Air
Pipe Sizes	1/4", 3/8", 1/2" 3/4", 1"
Pipe Thread	BSP - Standard BSPT, NPT - Optional
Max. Inlet Pressure	17.5 bar (250 psi)
Max. Operating Temperature (Ambient)	+80°C (Nitrile Elastomer)
Filter Element material	Activated Carbon
Material of Construction	
Body, Bowl	Aluminium Alloy die-cast
Internal parts	Alu., SS304, SS316L, Acetal resin, Nylon, Brass etc.
External parts	SS 316L, Aluminium
Elastomers	Nitrile
Standard Nominal Flow Rate at 6 bar (87 psi) supply pressure and 1 bar (14.5 psi) pressure drop	1/4" - 21 scfm (10 dm ³ /sec) 3/8" - 21 scfm (10 dm ³ /sec) 1/2" - 21 scfm (10 dm ³ /sec) 3/4" - 21 scfm (10 dm ³ /sec) 1" - 21 scfm (10 dm ³ /sec)
CV Value	1/4" - (0.28) 3/8" - (0.28) 1/2" - (0.28) 3/4" - (0.28) 1" - (0.28)
Bowl Capacity	270 ml
Particle Removal	upto 0.01 micron
Maximum Oil Removal content	upto 0.03 ppm



Size	Flow (dm ³ /s)	Bowl	Model
G 1/4	21 scfm (10 dm ³ /sec)	Metal	SF60V-2G-EODN-A
G 3/8	21 scfm (10 dm ³ /sec)	Metal	SF60V-3G-EODN-A
G 1/2	21 scfm (10 dm ³ /sec)	Metal	SF60V-4G-EODN-A
G 3/4,1	21 scfm (10 dm ³ /sec)	Metal	SF60V-6G-EODN-A

SF60V (G 1/4, 3/8, 1/2, 3/4, 1)

Option Selector

Sample Model Number → **S F 6 0 V - 4 A - E O D N - X X X - X X X**

Position → **0 1 2 3 4 - 5 6 - 7 8 9 10 - 11 12 13 - 14 15 16**

0 S = Shavo

1 Product F = Filter

2 3 Series 60 = "Vayu" - 1/2 Basic

4 Type V = Vapour Removal (with Nitrile Elastomers)

5 Size
 2 = 1/4"
 3 = 3/8"
 4 = 1/2"
 6 = 3/4"
 8 = 1" (with Aluminium adaptor)

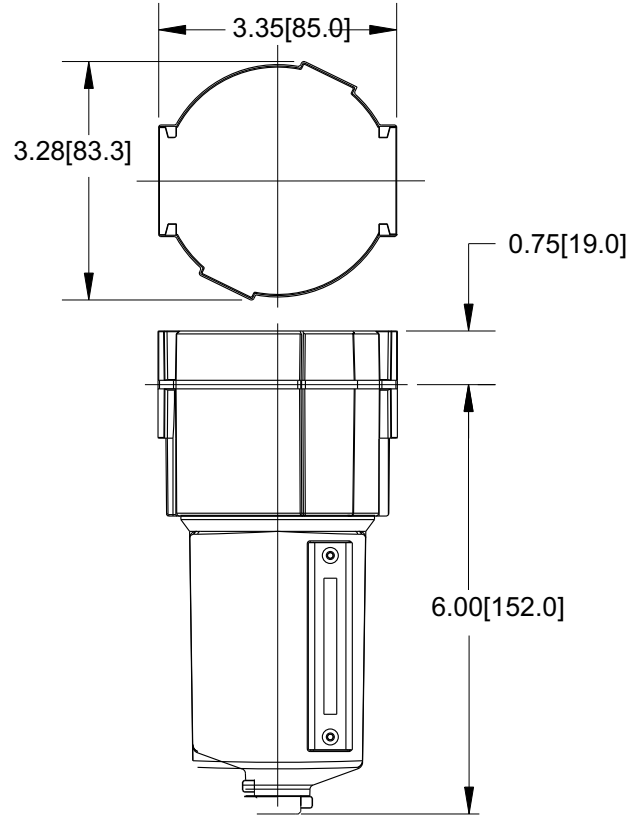
6 Port Thread
 A = NPT
 B = ISO Rc Taper (=BSPT)
 G = ISO 'Parallel' (=BSP)

7 Drain E = Bottom Closed

8 Filter Element 0 = Vapour Removal

9 Bowl
 D = Metal Bowl with Sight Glass
 M = Metal Bowl without Sight Glass

10 Mounting & Accessories
 N = No Mounting Bracket,
 B = Wall Mounting Bracket,



11 12 13 Test / Approval

A	0	0	ATEX
A	0	1	UKEX
A	0	2	UKCA
A	0	3	ATEX, UKEX, EAC Ex, UKCA
A	0	4	ATEX, UKEX, EAC Ex
A	0	5	ATEX, UKEX, UKCA
A	0	6	ATEX, UKEX, EAC Ex
B	0	0	ATEX, CE
B	0	1	ATEX, CE, UKEX, EAC Ex, UKCA
B	0	2	ATEX, CE, UKEX, EAC Ex
B	0	3	ATEX, CE, UKEX, UKCA
B	0	4	ATEX, CE, UKCA, EAC Ex
B	0	5	ATEX, CE, EAC Ex
C	0	0	CE
C	0	1	CE, UKEX, EAC Ex, UKCA
C	0	2	CE, UKEX, EAC Ex
C	0	3	CE, UKEX, UKCA
C	0	4	CE, EAC Ex, UKCA
C	0	5	CE, EAC Ex

SF60V (G 1/4, 3/8, 1/2, 3/4, 1)

D	0	0	ATEX, EAC
D	0	1	ATEX, EAC, UKEX, EAC Ex, UKCA
D	0	2	ATEX, EAC, UKEX, EAC Ex
D	0	3	ATEX, EAC, UKEX, UKCA
D	0	4	ATEX, EAC, EAC Ex, UKCA
E	0	0	EAC
E	0	1	EAC, UKEX, EAC Ex, UKCA
E	0	2	EAC, UKEX, EAC Ex
E	0	3	EAC, UKEX, UKCA
E	0	4	EAC, EAC Ex, UKCA
F	0	0	ATEX, SIL3
F	0	1	ATEX, SIL3, UKEX, EAC Ex, UKCA
F	0	2	ATEX, SIL3, UKEX, EAC Ex
F	0	3	ATEX, SIL3, UKEX, UKCA
F	0	4	ATEX, SIL3, EAC Ex, UKCA
F	0	5	ATEX, SIL3, EAC Ex
G	0	0	CE, EAC
G	0	1	CE, EAC, UKEX, EAC Ex, UKCA
G	0	2	CE, EAC, UKEX, EAC Ex
G	0	3	CE, EAC, UKEX, UKCA
G	0	4	CE, EAC, EAC Ex, UKCA
H	0	0	CE, SIL3
H	0	1	CE, SIL3, UKEX, EAC Ex, UKCA
H	0	2	CE, SIL3, UKEX, EAC Ex
H	0	3	CE, SIL3, UKEX, UKCA
H	0	4	CE, SIL3, EAC Ex, UKCA
H	0	5	CE, SIL3, EAC Ex
J	0	0	EAC, SIL3
J	0	1	EAC, SIL3, UKEX, EAC Ex, UKCA
J	0	2	EAC, SIL3, UKEX, EAC Ex
J	0	3	EAC, SIL3, UKEX, UKCA
J	0	4	EAC, SIL3, EAC Ex, UKCA
K	0	0	CE, EAC, SIL3
K	0	1	CE, EAC, SIL3, UKEX, EAC Ex, UKCA
K	0	2	CE, EAC, SIL3, UKEX, UKCA
K	0	3	CE, EAC, SIL3, UKEX, EAC Ex
K	0	4	CE, EAC, SIL3, EAC Ex, UKCA
L	0	0	ATEX, EAC, SIL3
L	0	1	ATEX, EAC, SIL3, UKEX, EAC Ex, UKCA
L	0	2	ATEX, EAC, SIL3, UKEX, EAC Ex
L	0	3	ATEX, EAC, SIL3, UKEX, UKCA
L	0	4	ATEX, EAC, SIL3, EAC Ex, UKCA
M	0	0	ATEX, CE, SIL3
M	0	1	ATEX, CE, SIL3, UKEX, EAC Ex, UKCA
M	0	2	ATEX, CE, SIL3, UKEX, EAC Ex
M	0	3	ATEX, CE, SIL3, UKEX, UKCA
M	0	4	ATEX, CE, SIL3, EAC Ex, UKCA
N	0	0	ATEX, CE, EAC
N	0	1	ATEX, CE, EAC, UKEX, EAC Ex, UKCA
N	0	2	ATEX, CE, EAC, UKEX, EAC Ex
N	0	3	ATEX, CE, EAC, UKEX, UKCA
N	0	4	ATEX, CE, EAC, EAC Ex, UKCA

SF60V (G 1/4, 3/8, 1/2, 3/4, 1)

[O]	[0]	[0]	Other customer special requirement if Any
P	0	0	ATEX, CE, EAC, SIL3
P	0	1	ATEX, CE, EAC, SIL3, UKEX, EAC Ex, UKCA
P	0	2	ATEX, CE, EAC, SIL3, UKEX, EAC Ex
P	0	3	ATEX, CE, EAC, SIL3, UKEX, UKCA
P	0	4	ATEX, CE, EAC, SIL3, EAC Ex, UKCA
Q	0	0	ATEX, EAC Ex
R	0	0	EAC Ex
R	0	1	EAC Ex, UKEX, UKCA
R	0	2	EAC Ex, UKCA
S	0	0	SIL3
S	0	1	SIL3, UKEX, EAC Ex, UKCA
S	0	2	SIL3, UKEX, EAC Ex
S	0	3	SIL3, UKEX, UKCA
S	0	4	SIL3, EAC Ex, UKCA
V	0	0	ATEX, CE, SIL3, EAC Ex
V	0	1	ATEX, CE, SIL3, EAC Ex, UKEX, UKCA
V	0	2	ATEX, CE, SIL3, EAC Ex, UKEX
V	0	3	ATEX, CE, SIL3, EAC Ex, UKCA
X	X	X	STANDARD UNITS WITHOUT ANY CERTIFICATE / APPROVAL
Y	0	0	ATEX, SIL3, EACEx
y	0	1	ATEX, SIL3, EACEx, UKEX, UKCA
Y	0	2	ATEX, SIL3, EAC Ex, UKEX
Y	0	3	ATEX, SIL3, EACEx, UKCA
Z	0	1	CE, SIL3, EAC Ex, UKEX, UKCA
Z	0	2	CE, SIL3, EAC Ex, UKEX
Z	0	3	CE, SIL3, EAC Ex, UKCA

X	X	X	Standard Unit Without any Compliance
A	0	1	RoHS 3 Compliance
A	0	2	REACH Compliance
A	0	3	Copper Free (Only Applicable Aluminium Version)
A	0	4	RoHS3, REACH Compliance
A	0	5	RoHS3, REACH, Copper Free (Only Applicable for Aluminium Version)
A	0	6	RoHS3, Copper Free (Only Applicable for Aluminium Version)
A	0	7	REACH, Copper Free (Only Applicable for Aluminium Version)

14 | 15 | 16 Compliance