

## SR70 (G 3/4, 1, 1¼, 1½)

### Features

- Shavo's Vayu Series Large Flow range Pressure Regulators Diaphragm operated, respond to flow demand and line pressure changes efficiently.
- Positive valve sealing, large passages & operating to give free air flow.
- Large size low torque square handle to adjust pressure make it designers' first choice
- CE, ATEX, EAC Ex (CUTR 12), EAC(CUTR 10) approved.
- SIL 3 capable as per IEC 61508.

PARAMETERS	SPECIFICATIONS
Fluid	Compressed Air
Pipe Sizes	3/4", 1", 1¼" 1 ½"
Port Thread	BSP - Standard BSPT, NPT Optional
Max. Inlet Pressure	20 bar (300 psi)
Max. Operating Temp. (Ambient)	+80° C
Material of Construction	
Body, Bonnet	Aluminium Alloy die-cast
Internal parts	Aluminium, SS304, SS316L, Acetal resin, Nylon, brass
External parts	SS 316L
Diaphragm Assembly	Synthetic Rubber without PTFE - Standard
Elastomers	Low Temp. Nitrile (NBR) -40°C to +80°C (Std) EPDM -35°C to +120°C Fluorocarbon (Viton-FKM) -20°C to +180°C
Standard Nominal Flow Rate at 10 bar (150psi) inlet pressure 6 bar (87 psi) set pr. and a drop of 1 bar (14.5 psi) from set	3/4" - 530 scfm (250 dm³/sec) 1" - 560 scfm (264 dm³/sec) 1¼" - 560 scfm (264 dm³/sec) 1½" - 560 scfm (264 dm³/sec)
CV Value	3/4" - (10.00) 1" - (10.50) 1¼" - (10.50) 1½" - (10.50)
Type	Relieving - Std Non-Relieving - Optional
Pressure Adjustment square	Square headed screw - Std
Regulated secondary pressure ranges	1.0 to 10.0 bar (15.0 - 150 psi) - Standard 0.21 to 2.10 bar (3 - 30 psi) - Optional 0.4 to 4.0 bar (6 - 60 psi) - Optional 0.86 to 8.6 bar (12.5 - 125 psi) - Optional 1.70 to 17.5 bar (25 - 250 psi) - Optional
Gauge Port (2 nos.)	1/8" BSPT (Fe) - Std. 1/8" NPT (Fe) - Optional
Gauge size (dial size)	50 mm (Nominal)
Mounting	Panel Mounting - Standard Mounting Bracket - Optional
Weight	2.5 Kgs.

Pressure Gauge (scale) : Kg/cm² (PSI) - Standard (For Domestic Market)  
Bar (PSI) - Standard (Export)

Size	Flow	Range (psi)	Operation	Model
G 3/4	530 scfm (250 dm³/sec)	15-150 psi	Relieving	SR70H-6G-RNMN-A
G 1	560 scfm (264 dm³/sec)	15-150 psi	Relieving	SR70H-8G-RNMN-A
G 1¼	560 scfm (264 dm³/sec)	15-150 psi	Relieving	SR70H-AG-RNMN-A
G 1½	560 scfm (264 dm³/sec)	15-150 psi	Relieving	SR70H-BG-RNMN-A

1) Pressure gauge will not have CE, EAC, SIL3 and NACE MR 0175 approval. Pressure gauge will have ATEX approval.

2) Panel mounting nut will not be available for ATEX versions



## SR70 (G 3/4, 1, 1 1/4, 1 1/2)

### Option Selector

Sample Model Number → **S r 7 0 H - 4 G - R N M N - X X X - X X X**

Position → **0 1 2 3 4 - 5 6 - 7 8 9 10 - 11 12 13 - 14 15 16**

**0** S = Shavo

**1** Product R = Regulator

**2 3** Series 70 = "Vayu"-1" Basic

**4** Pipe Size  
 [H] = Low Temp. Nitrile Elastomers - Square headed screw (SS316L)  
 [Q] = EPDM Elastomers - Square headed screw (SS316L)  
 [U] = Fluorocarbon (Viton) Elastomers - Square headed screw (SS316L)

**5** Size  
 6 = 3/4"  
 8 = 1"  
 A = 1 1/4"  
 B = 1 1/2"

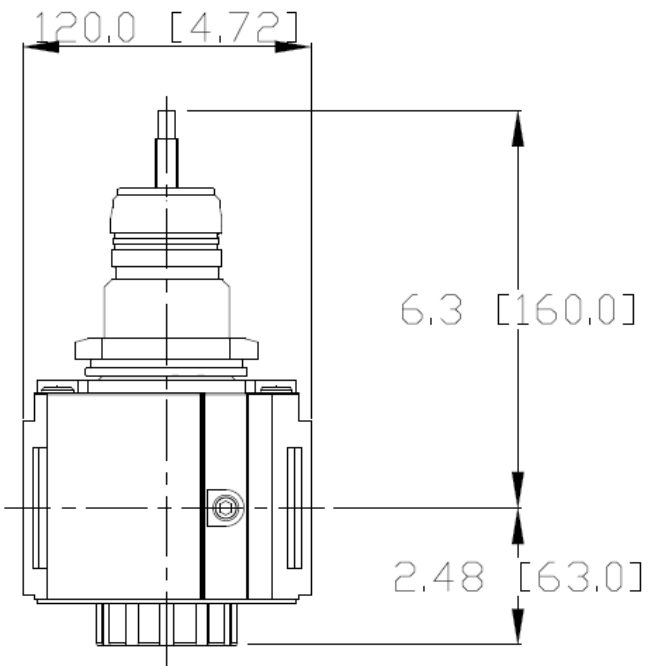
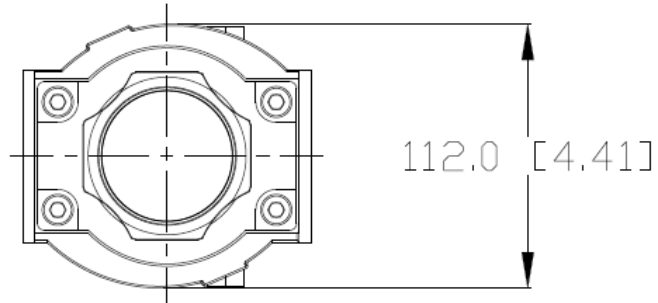
	Main Port	Gauge Port
<b>6</b> Port Thread	A NPT	BSPT
	B BSPT	BSPT
	G BSP	BSPT
	N NPT	NPT

**7** Relief  
 R = Relieving  
 N = Non-Relieving

**8** Gauge  
 N = No Gauge  
 G = With Gauge (with ATEX approved - 50mm)

**9** Sec. Pr. Range  
 C = 0.21 - 2.1 bar (3 - 30 psi)  
 E = 0.35 - 3.5 bar (5 - 50 psi)  
 L = 0.86 - 8.60 bar (12.5 - 125 psi)  
 M = 1.0 - 10.0 bar (15 - 150 psi)  
 \* [S] = 1.70 - 17.5 bar (25 - 250 psi)

**10** Mounting & Accessories  
 N = No Mounting Bracket  
 P = P.M. Nut will not be available for ATEX version  
 B = Wall Mounting Bracket Fitted (SS316)



**11 12 13** Test / Approval

A	0	0	ATEX
A	0	1	UKEX
A	0	2	UKCA
A	0	3	ATEX, UKEX, EAC Ex, UKCA
A	0	4	ATEX, UKEX, EAC Ex
A	0	5	ATEX, UKEX, UKCA
A	0	6	ATEX, UKEX, EAC Ex
B	0	0	ATEX, CE
B	0	1	ATEX, CE, UKEX, EAC Ex, UKCA
B	0	2	ATEX, CE, UKEX, EAC Ex
B	0	3	ATEX, CE, UKEX, UKCA
B	0	4	ATEX, CE, UKCA, EAC Ex
B	0	5	ATEX, CE, EAC Ex
C	0	0	CE
C	0	1	CE, UKEX, EAC Ex, UKCA
C	0	2	CE, UKEX, EAC Ex
C	0	3	CE, UKEX, UKCA
C	0	4	CE, EAC Ex, UKCA
C	0	5	CE, EAC Ex

## SR70 (G 3/4, 1, 1¼, 1½)

D	0	0	ATEX, EAC
D	0	1	ATEX, EAC, UKEX, EAC Ex, UKCA
D	0	2	ATEX, EAC, UKEX, EAC Ex
D	0	3	ATEX, EAC, UKEX, UKCA
D	0	4	ATEX, EAC, EAC Ex, UKCA
E	0	0	EAC
E	0	1	EAC, UKEX, EAC Ex, UKCA
E	0	2	EAC, UKEX, EAC Ex
E	0	3	EAC, UKEX, UKCA
E	0	4	EAC, EAC Ex, UKCA
F	0	0	ATEX, SIL3
F	0	1	ATEX, SIL3, UKEX, EAC Ex, UKCA
F	0	2	ATEX, SIL3, UKEX, EAC Ex
F	0	3	ATEX, SIL3, UKEX, UKCA
F	0	4	ATEX, SIL3, EAC Ex, UKCA
F	0	5	ATEX, SIL3, EAC Ex
G	0	0	CE, EAC
G	0	1	CE, EAC, UKEX, EAC Ex, UKCA
G	0	2	CE, EAC, UKEX, EAC Ex
G	0	3	CE, EAC, UKEX, UKCA
G	0	4	CE, EAC, EAC Ex, UKCA
H	0	0	CE, SIL3
H	0	1	CE, SIL3, UKEX, EAC Ex, UKCA
H	0	2	CE, SIL3, UKEX, EAC Ex
H	0	3	CE, SIL3, UKEX, UKCA
H	0	4	CE, SIL3, EAC Ex, UKCA
H	0	5	CE, SIL3, EAC Ex
J	0	0	EAC, SIL3
J	0	1	EAC, SIL3, UKEX, EAC Ex, UKCA
J	0	2	EAC, SIL3, UKEX, EAC Ex
J	0	3	EAC, SIL3, UKEX, UKCA
J	0	4	EAC, SIL3, EAC Ex, UKCA
K	0	0	CE, EAC, SIL3
K	0	1	CE, EAC, SIL3, UKEX, EAC Ex, UKCA
K	0	2	CE, EAC, SIL3, UKEX, UKCA
K	0	3	CE, EAC, SIL3, UKEX, EAC Ex
K	0	4	CE, EAC, SIL3, EAC Ex, UKCA
L	0	0	ATEX, EAC, SIL3
L	0	1	ATEX, EAC, SIL3, UKEX, EAC Ex, UKCA
L	0	2	ATEX, EAC, SIL3, UKEX, EAC Ex
L	0	3	ATEX, EAC, SIL3, UKEX, UKCA
L	0	4	ATEX, EAC, SIL3, EAC Ex, UKCA
M	0	0	ATEX, CE, SIL3
M	0	1	ATEX, CE, SIL3, UKEX, EAC Ex, UKCA
M	0	2	ATEX, CE, SIL3, UKEX, EAC Ex
M	0	3	ATEX, CE, SIL3, UKEX, UKCA
M	0	4	ATEX, CE, SIL3, EAC Ex, UKCA
N	0	0	ATEX, CE, EAC
N	0	1	ATEX, CE, EAC, UKEX, EAC Ex, UKCA
N	0	2	ATEX, CE, EAC, UKEX, EAC Ex
N	0	3	ATEX, CE, EAC, UKEX, UKCA
N	0	4	ATEX, CE, EAC, EAC Ex, UKCA

## SR70 (G 3/4, 1, 1 1/4, 1 1/2)

[O]	[0]	[0]	Other customer special requirement if Any
P	0	0	ATEX, CE, EAC, SIL3
P	0	1	ATEX, CE, EAC, SIL3, UKEX, EAC Ex, UKCA
P	0	2	ATEX, CE, EAC, SIL3, UKEX, EAC Ex
P	0	3	ATEX, CE, EAC, SIL3, UKEX, UKCA
P	0	4	ATEX, CE, EAC, SIL3, EAC Ex, UKCA
Q	0	0	ATEX, EAC Ex
R	0	0	EAC Ex
R	0	1	EAC Ex, UKEX, UKCA
R	0	2	EAC Ex, UKCA
S	0	0	SIL3
S	0	1	SIL3, UKEX, EAC Ex, UKCA
S	0	2	SIL3, UKEX, EAC Ex
S	0	3	SIL3, UKEX, UKCA
S	0	4	SIL3, EAC Ex, UKCA
V	0	0	ATEX, CE, SIL3, EAC Ex
V	0	1	ATEX, CE, SIL3, EAC Ex, UKEX, UKCA
V	0	2	ATEX, CE, SIL3, EAC Ex, UKEX
V	0	3	ATEX, CE, SIL3, EAC Ex, UKCA
X	X	X	STANDARD UNITS WITHOUT ANY CERTIFICATE / APPROVAL
Y	0	0	ATEX, SIL3, EACEX
y	0	1	ATEX, SIL3, EACEX, UKEX, UKCA
Y	0	2	ATEX, SIL3, EAC Ex, UKEX
Y	0	3	ATEX, SIL3, EACEX, UKCA
Z	0	1	CE, SIL3, EAC Ex, UKEX, UKCA
Z	0	2	CE, SIL3, EAC Ex, UKEX
Z	0	3	CE, SIL3, EAC Ex, UKCA

X	X	X	Standard Unit Without any Compliance
A	0	1	RoHS 3 Compliance
A	0	2	REACH Compliance
A	0	3	Copper Free (Only Applicable Aluminium Version)
A	0	4	RoHS3, REACH Compliance
A	0	5	RoHS3, REACH, Copper Free (Only Applicable for Aluminium Version)
A	0	6	RoHS3, Copper Free (Only Applicable for Aluminium Version)
A	0	7	REACH, Copper Free (Only Applicable for Aluminium Version)

14 | 15 | 16 | Compliance

Note : Option shown in [ ] bracket are special, please contact sales HQ / manufacturing.  
 \* [S] option available with Hex headed pressure adj