

AIR FILTER - Stainless Steel

SF37 (G 1/2, G 3/4)

Features

- Shavo's Filter Model SF37 is designed as a high-performance product for use in corrosive atmospheres.
- Applications include marine environments, oil and gas production, chemicals and food processing, medical analysis etc.
- CE, EAC[CU TR10(equivalent to GOST R&K)] approved
- SIL 3 capable as per IEC 61508.
- External Metallic parts meet NACE standard MR-01 75*

(*National Association of Corrosion Engineers MR-0175 defines requirements for sulphide stress cracking resistant materials used in oilwells and other corrosive environments.)



PARAMETERS	SPECIFICATIONS
Fluid	Compressed Air
Pipe Sizes	1/2", 3/4"
Pipe Thread	NPT - Standard BSPT, BSP - Optional
Max. Inlet Pressure	with Metal bowl Manual drain - 435 psig(30 bar) with Metal bowl Automatic drain-150 psig(10.5bar)
Max. Operating Temperature (Ambient)	+80°C
Filter Element size	25 Micron - Std. (5,40 Micron - Optional)
Filter Element material	SS 316 - Std. Sintered Bronze-Optional
Material of Construction	Stainless Steel as per AISI 316L
Body, Bowl	SS 316L with NACE Compliance (MR 0175)
Internal parts	SS 316L
External parts	SS 316L with NACE Compliance (MR 0175)
Elastomers	Low Temp. Nitrile (LNBR) -60°C to +80°C EPDM -35°C to+120°C Fluorocarbon (Viton-FKM) -20°C to +180°C Nitrile (NBR) -20°C to +80°C
Standard Nominal Flow Rate at 6 bar (87 psi) supply pressure and 1 bar (14.5 psi) pressure drop	1/2" - 189 scfm (90 dm ³ /sec) 3/4" - 242 scfm (115 dm ³ /sec)
CV Value	1/2" - (3.56) 3/4" - (4.58)
Bowl Capacity	100 ml
Drain	Manual - Std Automatic - Optional
Weight	1.6 Kgs.

+ Value indicated are with 40 micron elements with finer element these values will be lower.

Note : Automatic drain available with Nitrile elastomers only.

Size	Flow	Element	Drain	Model
½" NPT	90 dm ³ /sec (189 scfm)	25 micron	Manual	SF37-401-M8SA-E
¾" NPT	115 dm ³ /sec (242 scfm)	25 micron	Manual	SF37-601-M8SA-E

AIR FILTER - Stainless Steel

SF37 (G 1/2, G 3/4)

Option Selector

Sample Model Number → **S F 3 7 - 4 0 0 - M 5 S A - X X X - X - X X X**

Position → **0 1 2 3 - 4 5 6 - 7 8 9 10 - 11 12 13 - 14 - 15 16 17**

0 S = Shavo

1 Product F = Filter

2 3 Series 37 = All SS 316L (Cast)

4 Port Size
 4 = 1/2"
 6 = 3/4"

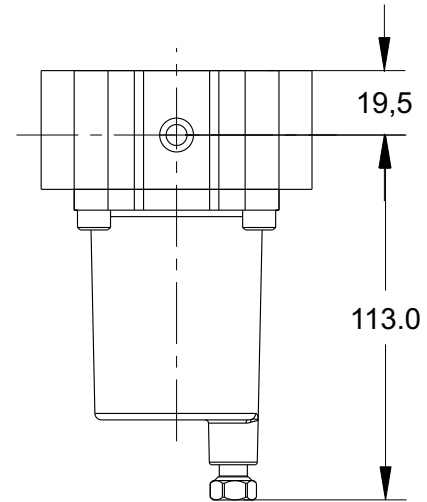
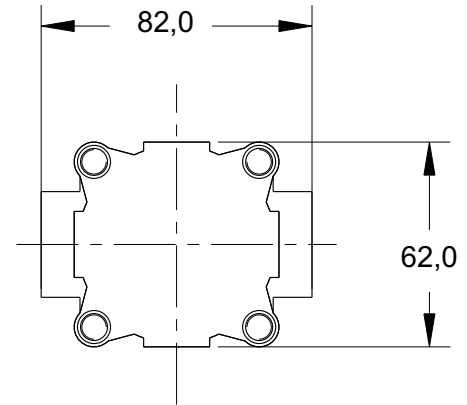
5 6 Options
 00 = Nitrile elastomers
 04 = Low Temp. Nitrile elastomers
 [01] = EPDM elastomers
 [02] = VITON elastomers

7 Drain
 M = Manual
 A = Automatic (available with Nitrile elastomers only)

8 Filter Element
 [1] = 05 M Porous Plastic
 [2] = 25 M Porous Plastic
 [3] = 40 M Porous Plastic
 4 = 05 M Sintered Bronze
 5 = 25 M Sintered Bronze
 6 = 40 M Sintered Bronze
 7 = 05 M SS 316
 8 = 25 M SS 316
 9 = 40 M SS 316

9 Bowl S = Stainless Steel SS316L (cast)

10 Port Thread
 A = NPT
 B = BSPT
 G = BSP



SF37 (G 1/2, G 3/4)

11 12 13 Test / Approval

C	0	0	CE
C	0	1	UKCA
C	0	2	CE,UKCA
E	0	0	EAC
E	0	1	EAC, UKCA
S	0	0	SIL3
S	0	1	SIL3, UKCA
G	0	0	CE, EAC
G	0	1	CE, EAC, UKCA
H	0	0	CE, SIL3
H	0	1	CE, SIL3, UKCA
K	0	0	CE, EAC, SIL3
K	0	1	CE, EAC, SIL3, UKCA
X	X	X	Standard Units Without Any Certificatios / Approval
[0]	[0]	[0]	Other Customer Special Requirement if Any

14 Mounting

X = Standard unit (without bracket)
[B] = with wall mounting bracket.

15 16 17 Compliance

X	X	X	Standard Unit Without any Compliance
A	0	1	RoHS 3 Compliance
A	0	2	REACH Compliance
A	0	3	Copper Free (Only Applicable Aluminium Version)
A	0	4	RoHS3, REACH Compliance
A	0	5	RoHS3, REACH, Copper Free (Only Applicable for Aluminium Version)
A	0	6	RoHS3, Copper Free (Only Applicable for Aluminium Version)
A	0	7	REACH, Copper Free (Only Applicable for Aluminium Version)

Note: Option shown in the [] bracket are special, Please contact Sales HQ/Manufacturing.