

AIR FILTER - Stainless Steel

SF37 (G 1, G 1½)

Features

- Shavo's Filter Model SF37 is designed as a high-performance product for use in corrosive atmospheres.
- Applications include marine environments, oil and gas production, chemicals and food processing, medical analysis etc.
- SIL 3 capable as per IEC 61508.
- CE, EAC[CU TR10(equivalent to GOST R&K)] approved
- External Metallic parts meet NACE standard MR-01 75*

(*National Association of Corrosion Engineers MR-0175 defines requirements for sulphide stress cracking resistant materials used in oilwells and other corrosive environments.)

PARAMETERS	SPECIFICATIONS
Fluid	Compressed Air
Pipe Sizes	1", 1 ½"
Pipe Thread	NPT - Standard BSPT, BSP - Optional
Max. Inlet Pressure	with Metal bowl Manual drain - 435 psig(30 bar) with Metal bowl Automatic drain-150 psig(10.5bar)
Max. Operating Temperature (Ambient)	+80°C
Filter Element size	25 Micron - Std. (5,40 Micron - Optional)
Filter Element material	SS 316 - Std.
Material of Construction	Stainless Steel as per AISI 316L
Body, Bowl	SS 316L with NACE Compliance (MR 0175)
Internal parts	SS 316L
External parts	SS 316L with NACE Compliance (MR 0175)
Elastomers	Low Temp. Nitrile (LNBR) -60°C to +80°C EPDM -35°C to+120°C Fluorocarbon (Viton-FKM) -20°C to +180°C Nitrile (NBR) -20°C to +80°C
Standard Nominal Flow Rate at 6 bar (87 psi) supply pressure and 1 bar (14.5 psi) pressure drop	1" - 500 scfm (236 dm3/sec) 1½" - 525 scfm (248 dm3/sec)
CV Value	1" - (9.40) 1½" - (9.90)
Bowl Capacity	320 ml
Drain	Manual - Std Automatic - Optional
Weight	4.8 Kgs.

+ Value indicated are with 40 micron elements with finer element these values will be lower.

Note : Automatic drain available with Nitrile elastomers only.



Size	Flow	Element	Drain	Model
1" NPT	500 dm3/sec. (236 scfm)	25 micron	Manual	SF37-801-M8SA-E
1½" NPT	525 dm3/sec. (248 scfm)	25 micron	Manual	SF37-B01-M8SA-E

AIR FILTER - Stainless Steel

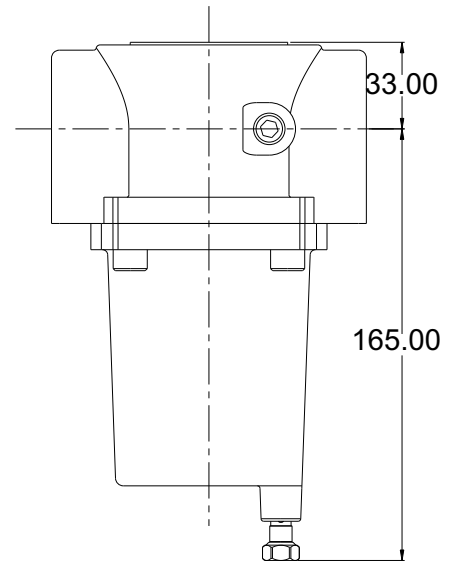
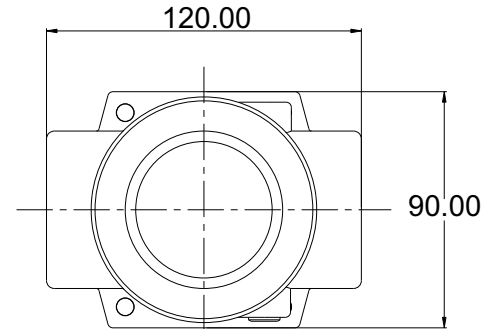
SF37 (G 1, G 1½)

Option Selector

Sample Model Number → **S F 3 7 - 8 0 0 - M 5 S A - X X X - X X X**

Position → **0 1 2 3 - 4 5 6 - 7 8 9 10 - 11 12 13 - 14 15 16**

0	S = Shavo
1 Product	F = Filter
2 3 Series	37 = SS316L (cast) UNIT
4 Port Size	8 = 1" B = 1½"
5 6 Options	00 = Nitrile elastomers 04 = Low Temp. Nitrile elastomers [01] = EPDM elastomers [02] = VITON elastomers
7 Drain	M = Manual A = Automatic (available with Nitrile elastomers only)
8 Filter Element	7 = 05 micron SS 316 8 = 25 micron SS 316 9 = 40 micron SS316
9 Bowl	S = STAINLESS STEEL(SS316L)
10 Port Thread	A = NPT B = BSPT G = BSP



SF37 (G 1, G 1½)

11 12 13 Test / Approval

C	0	0	CE
C	0	1	UKCA
C	0	2	CE, UKCA
E	0	0	EAC
E	0	1	EAC, UKCA
S	0	0	SIL3
S	0	1	SIL3, UKCA
G	0	0	CE, EAC
G	0	1	CE, EAC, UKCA
H	0	0	CE, SIL3
H	0	1	CE, SIL3, UKCA
K	0	0	CE, EAC, SIL3
K	0	1	CE, EAC, SIL3, UKCA
X	X	X	Standard Units Without Any Certificatio / Approval
[0]	[0]	[0]	Other Customer Special Requirement if Any

14 15 16 Compliance

X	X	X	Standard Unit Without any Compliance
A	0	1	RoHS 3 Compliance
A	0	2	REACH Compliance
A	0	3	Copper Free (Only Applicable Aluminium Version)
A	0	4	RoHS3, REACH Compliance
A	0	5	RoHS3, REACH, Copper Free (Only Applicable for Aluminium Version)
A	0	6	RoHS3, Copper Free (Only Applicable for Aluminium Version)
A	0	7	REACH, Copper Free (Only Applicable for Aluminium Version)

Note : Option shown in [] bracket are special, please consult Sales HQ / manufacturing.