

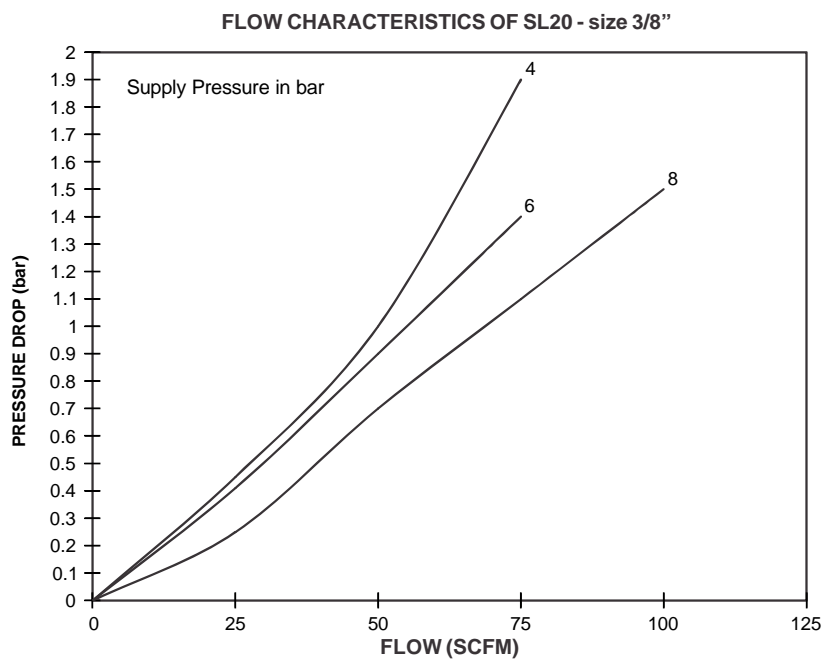
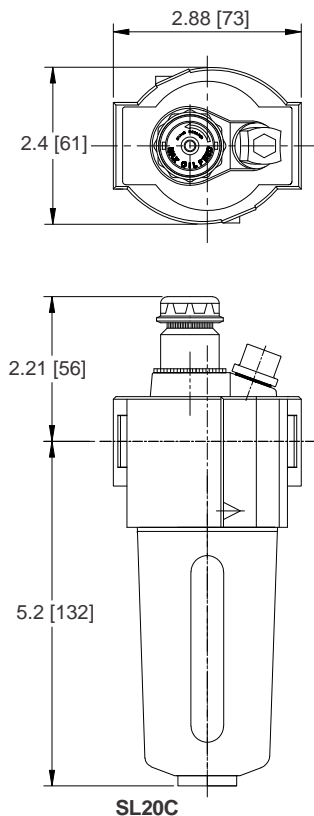
SL20C (G ¼, G ⅜, G ½)

FEATURES

- I Shavo's Vayu™ Series Lubricator - Oil-Fog design is used to provide a constant ratio of oil to air and provide lubrication to airtool oil cylinders and other air operated equipment
- I Use Micro-Mist design for injecting a fine mist of lubricant into the airline enroute to air driven tools and equipment suitable for systems containing complex piping and multiple points of lubrication



PARAMETERS	SPECIFICATIONS	
Pipe Threads	G 1/4, 3/8, 1/2 Parallel Taper (F)	- Standard
	BSPT. / NPT	- Optional
Type	Micro -Mist / Oil Fog	
Body Material	Al. Alloy die-cast	
Bowl Material	Transparent Polycarbonate with bowl guard	- Standard
	Al. Alloy Metal without sight glass	- Optional
Bowl Capacity	160 cc	
Maximum intel Pressure	with PC Bowl : 150 psig (10.5 bar)	
	with Metal Bowl : 250 psig (17.5 bar)	
Maximum Operating Temperature (ambient)	with PC Bowl : 50° C	
	with Metal Bowl : 80° C	
Standard Nominal Flow Rate (at 87 psi supply and 14.5 psi pr. drop)	1/4	42 scfm (20 dm³/sec)
	3/8	69 scfm (33 dm³/sec)
	1/2	109 scfm (52 dm³/sec)
Minimum Flow reqd to start (at 87 psi inlet)	1/4	2.5 scfm (1.2 dm³/sec)
	3/8, 1/2	3.9 scfm (1.8 dm³/sec)



SL20C (G 1/4, G 3/8, G 1/2)

Size	Flow	Start point	Bowl	Bowl Capacity	Model
G 1/4	42 scfm (20 dm ³ /sec)	2.5 scfm	Transparent Metal	160 cc	SL20M-2G-PN SL20M-2G-DN
G 3/8	69 scfm (33 dm ³ /sec)	3.9 scfm	Transparent Metal	160 cc	SL20M-3G-PN SL20M-3G-DN
G 1/2	109 scfm (52 dm ³ /sec)	3.9 scfm	Transparent Metal	160 cc	SL20M-4G-PN SL20M-4G-DN
G 1/4	42 scfm (20 dm ³ /sec)	2.5 scfm	Transparent Metal	160 cc	SL20C-2G-PN SL20C-2G-DN
G 3/8	69 scfm (33 dm ³ /sec)	3.9 scfm	Transparent Metal	160 cc	SL20C-3G-PN SL20C-3G-DN
G 1/2	109 scfm (52 dm ³ /sec)	3.9 scfm	Transparent Metal	160 cc	SL20C-4G-PN SL20C-4G-DN

Option Selector

Sample Model Number → **S L 2 0 C - 3 A - P N**

Position → **0 1 2 3 4 - 5 6 - 7 8**

