

SR37 (G1/4, G3/8)

Features

- 'Shavo's' Pressure Regulator Model SR37 is designed as a high-performance product for instrument air use in corrosive atmospheres.
- Applications include marine environments, oil and gas production, chemicals and food processing, medical analysis etc.
- SIL 3 capable as per IEC 61508.
- CE, EAC[CU TR10(equivalent to GOST R&K)] approved
- All External parts are NACE MR 0175* approved.

(*National Association of Corrosion Engineers MR-0175 defines requirements for sulphide stress cracking resistant materials used in oilwells and other corrosive environments.)

PARAMETERS	SPECIFICATIONS
Fluid	Compressed Air
Pipe Sizes	1/4", 3/8"
Port Thread	NPT - Standard BSPT, BSP - Optional
Max. Inlet Pressure	30 bar (435 psi)
Max. Operating Temp. (Ambient)	+80° C
Material of Construction	Stainless Steel as per AISI 316L
Body, Bonnet	SS 316L with NACE compliance (MR 0175)
Internal parts	SS 316L
External parts	SS 316L with NACE compliance (MR 0175)
Diaphragm Assembly	Synthetic Rubber without PTFE - Standard
Elastomers	Low Temp. Nitrile (LNBR) -60°C to +80°C (std) EPDM -35°C to +120°C Fluorocarbon (Viton-FKM) -20°C to +180°C Nitrile (NBR) -20°C to +80°C
Standard Nominal Flow Rate at 10 bar (150psi) inlet pressure 6 bar (87 psi) set pr. and a drop of 1 bar(14.5 psi) from set	1/4" - 75 scfm (36 dm ³ /sec) 3/8" - 140 scfm (67 dm ³ /sec)
CV Value	1/4" - (1.41) 3/8" - (2.64)
Type	Relieving - Std Non-Relieving - Optional
Pressure Adjustment	Hex Headed Adjusting screw - Standard 'T' Handle - Optional
Regulated secondary pressure ranges	1.00 - 10.0 bar (15 - 150 psi) - Standard 0.21 - 2.10 bar (3.0 - 30 psi) - Optional 0.40 - 4.0 bar (6.0 - 60 psi) - Optional 0.86 - 8.6 bar (12.5 - 125 psi) - Optional 1.70 - 17.5 bar (25 - 250 psi) - Optional
Gauge Port (2 nos.)	1/4" BSPT (Fe) - Std. 1/4" NPT (Fe) - Optional
Gauge size (dial size)	50 mm (Nominal)
Mounting	P.M. NUT - Standard Wall Mounting Bracket - Optional
Weight	1.6 Kgs.

Pressure Gauge (scale) : Kg/cm² (PSI) - Standard (For Domestic Market)
Bar (PSI) - Standard (Export)

Note :

- 1) Pressure gauge will not have CE, EAC, SIL3 and NACE MR 0175 approval.
- 2) PM nut, mounting bracket, grub screw will not have NACE MR 0175 approval.

Size	Flow	Range (psi)	Operation	Model
1/4" NPT	75 scfm (36 dm ³ /sec)	0 - 8.75KG/CM2	Relieving	SR37-204-RNLN-NH
3/8" NPT	140 scfm (67 dm ³ /sec)	0 - 8.75KG/CM2	Relieving	SR37-304-RNLN-NH



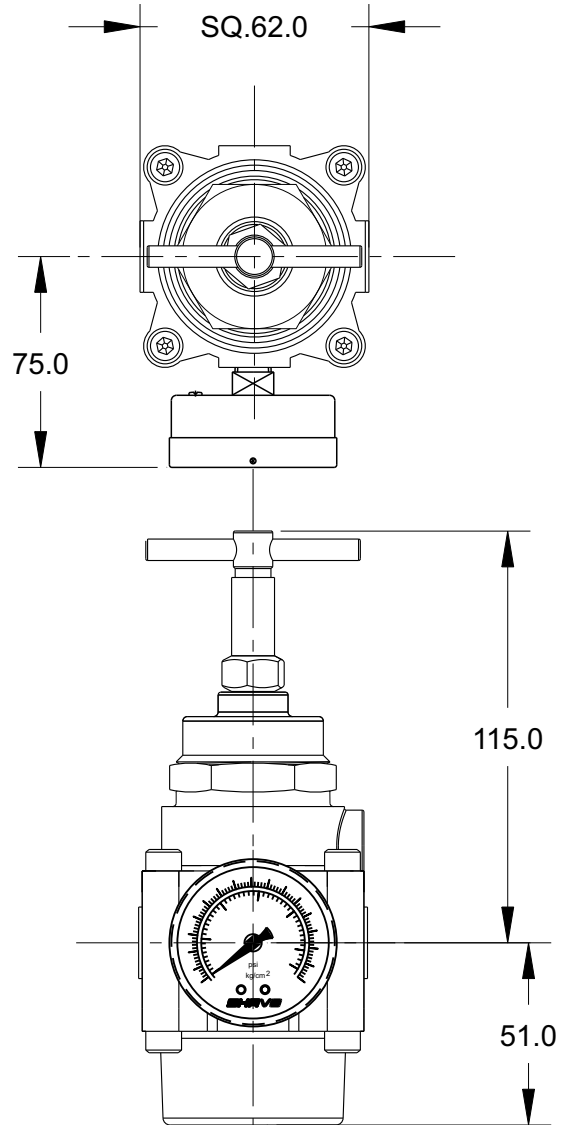
SR37 (G1/4, G3/8)

Option Selector

Sample Model Number → **S R 3 7 - 2 0 0 - R G L A - N T - X X X - X X X**

Position → **0 1 2 3 - 4 5 6 - 7 8 9 10 - 11 12 - 13 14 15 - 16 17 18**

0	S = Shavo															
1 Product	Regulator															
2 3 Series	37 - All SS 316L Unit (cast)															
4 Port Size	2 = 1/4" 3 = 3/8"															
5 6 Options	<table border="1"> <thead> <tr> <th colspan="2">Elastomer</th> </tr> </thead> <tbody> <tr> <td>04</td> <td>Low Temp. Nitrile</td> </tr> <tr> <td>[01]</td> <td>EPDM</td> </tr> <tr> <td>[02]</td> <td>Viton</td> </tr> <tr> <td>00</td> <td>Nitrile</td> </tr> </tbody> </table>	Elastomer		04	Low Temp. Nitrile	[01]	EPDM	[02]	Viton	00	Nitrile					
Elastomer																
04	Low Temp. Nitrile															
[01]	EPDM															
[02]	Viton															
00	Nitrile															
7 Relief	R = Relieving N = Non Relieving															
8 Gauge	N = No. Pr. Gauge G = SS316 Pr. Gauge Fitted(50 mm) (without any certification)															
9 Sec. Pr. Range	<table border="1"> <tbody> <tr> <td>C</td> <td>0.21 to 2.10 bar (3.0 - 30 psi)</td> </tr> <tr> <td>F</td> <td>0.40 to 4.0 bar (6.0 - 60 psi)</td> </tr> <tr> <td>L</td> <td>0.86 to 8.6 (12.5 - 125 psi)</td> </tr> <tr> <td>M</td> <td>1.00 to 10.0 bar (15.0 - 150 psi)</td> </tr> <tr> <td>*[S]</td> <td>1.70 to 17.5 bar (25.0 - 250 psi)</td> </tr> </tbody> </table>	C	0.21 to 2.10 bar (3.0 - 30 psi)	F	0.40 to 4.0 bar (6.0 - 60 psi)	L	0.86 to 8.6 (12.5 - 125 psi)	M	1.00 to 10.0 bar (15.0 - 150 psi)	*[S]	1.70 to 17.5 bar (25.0 - 250 psi)					
C	0.21 to 2.10 bar (3.0 - 30 psi)															
F	0.40 to 4.0 bar (6.0 - 60 psi)															
L	0.86 to 8.6 (12.5 - 125 psi)															
M	1.00 to 10.0 bar (15.0 - 150 psi)															
*[S]	1.70 to 17.5 bar (25.0 - 250 psi)															
10 Port Thread	<table border="1"> <thead> <tr> <th></th> <th>Main Port</th> <th>Gauge Port</th> </tr> </thead> <tbody> <tr> <td>A</td> <td>NPT</td> <td>BSPT</td> </tr> <tr> <td>B</td> <td>BSPT</td> <td>BSPT</td> </tr> <tr> <td>G</td> <td>BSP</td> <td>BSPT</td> </tr> <tr> <td>N</td> <td>NPT</td> <td>NPT</td> </tr> </tbody> </table>		Main Port	Gauge Port	A	NPT	BSPT	B	BSPT	BSPT	G	BSP	BSPT	N	NPT	NPT
	Main Port	Gauge Port														
A	NPT	BSPT														
B	BSPT	BSPT														
G	BSP	BSPT														
N	NPT	NPT														
11 Mounting & Accessories	N = No Mounting Bracket B = Wall Mounting bracket (SS316) P = 2" Pipe Mounting Bracket Fitted(SS316)															
12 Pr. Adjustment	H = HEX headed screw(SS316L) T = 'T' Handle (SS316L)															



SR37 (G1/4, G3/8)

13 14 15 Test / Approval

C	0	0	CE
C	0	1	UKCA
C	0	2	CE, UKCA
E	0	0	EAC
E	0	1	EAC, UKCA
S	0	0	SIL3
S	0	1	SIL3, UKCA
G	0	0	CE, EAC
G	0	1	CE, EAC, UKCA
H	0	0	CE, SIL3
H	0	1	CE, SIL3, UKCA
K	0	0	CE, EAC, SIL3
K	0	1	CE, EAC, SIL3, UKCA
X	X	X	Standard Units Without Any Certificatio / Approval
[0]	[0]	[0]	Other Customer Special Requirement if Any

16 17 18 Compliance

X	X	X	Standard Unit Without any Compliance
A	0	1	RoHS 3 Compliance
A	0	2	REACH Compliance
A	0	3	Copper Free (Only Applicable Aluminium Version)
A	0	4	RoHS3, REACH Compliance
A	0	5	RoHS3, REACH, Copper Free (Only Applicable for Aluminium Version)
A	0	6	RoHS3, Copper Free (Only Applicable for Aluminium Version)
A	0	7	REACH, Copper Free (Only Applicable for Aluminium Version)

Note : Options shown in [] bracket are special, please contact manufacturing.
 *[S] option available with hex headed adjustment only.