

PRECISION REGULATOR

11-4SNR (G 1/4)

Features

- Shavo's Regulator unit offers extremely precise control.
- Unique Valve design and large ratio of diaphragm to valve area affords highly sensitive performance.
- Specially designed to meet instrumentation requirements.
- SIL3 capable as per IEC 61508.
- CE, ATEX, EAC Ex (CUTR 12), EAC(CUTR 10) approved.
- All External parts are NACE MR 0175* approved. (applicable to SS units only)

(*National Association of Corrosion Engineers MR-0175 defines requirements for sulphide stress cracking resistant materials used in oilwells and corrosive environments).

PARAMETERS	SPECIFICATIONS
Fluid	Compressed Air
Pipe Sizes	1/4"
Port Thread	BSP - Standard BSPT, NPT Optional
Max. Inlet Pressure	17.5 bar (254 psi) - Aluminium 30 bar (435 psi) - Stainless Steel
Max. Operating Temp. (Ambient)	+80° C
Material of Construction (Aluminium)	Aluminium Alloy die-cast
Body, Bonnet, Cap	Aluminium, SS304, SS316L, Acetal resin, Nylon, brass
Internal parts	Aluminium, SS304, SS316L, Acetal resin, Nylon, brass
External parts	SS 316L, Aluminium
Material of Construction (SS)	Stainless Steel as per AISI 316L
Body, Bonnet, Cap	SS 316L with NACE Compliance (MR0175)
Internal parts	SS 316L / SS304.
External parts	SS 316L with NACE compliance (MR 0175)
Diaphragm Assembly	Synthetic Rubber without PTFE - Standard
Elastomers	Low Temp. Nitrile (LNBR)-SS ver. -60°C to +80°C Low Temp. Nitrile (LNBR)-Alu. ver. -40°C to +80°C EPDM -35°C to +120°C Fluorocarbon (Viton-FKM) -20°C to +180°C
Standard Nominal Flow Rate at 10 bar (150psi) inlet pressure 6 bar (87 psi) set pr. and a drop of 1 bar (14.5 psi) from set	1/4" - 55 scfm (26 dm ³ /sec)
CV Value	1/4" - (1.04)
Type	Relieving - Std Non-Relieving - Optional
Pressure Adjustment	Hex Headed Adjusting screw - Standard
Regulated secondary pressure ranges	0.70 to 7.0 bar (10-100 psi) - Standard 0.07 to 0.70 bar (1-10 psi) - Optional 0.21 to 2.10 bar (3-30 psi) - Optional 0.35 to 3.50 bar (5-50 psi) - Optional 0.50 to 5.0 bar (7-70 psi) - Optional
Gauge Port (2 nos.)	1/4" BSPT (Fe) - Std. 1/4" NPT (Fe) - Optional
Mounting	Wall Mounting Bracket - Std. (for Aluminium) Panel Mounting Bracket - Std. (for SS units)
Weight	0.6 Kgs.

Pressure Gauge (scale) : Kg/cm² (PSI) - Standard (For Domestic Market)
Bar (PSI) - Standard (Export)



Size	Flow	Range (psi)	Operation	Model
1/4	55 scfm (26 dm ³ /sec)	10-100 psi	Relieving	11-4SNR-200-RSKA-ENAH

Note :

- 1) Pressure gauge will not have CE, EAC, SIL3 and NACE MR 0175 approved.
- 2) Pressure gauge will have ATEX approval.
- 3) PM nut, mounting bracket, grub screw will not be to NACE specifications.

PRECISION REGULATOR

11-4SNR (G 1/4)

Option Selector

Sample Model Number → **1 1 - 4 S N R - 2 0 0 - R G K A - E N - X X X - M - X X X**

Position → **1 2 - 3 4 5 6 - 7 8 9 - 10 11 12 13 - 14 15 - 16 17 18 - 19 - 20 21 22**

1 2 **3 4 5 6**

Instrument Regulator with S.S. Trim

7 Port Size

2 = 1/4"

8 9 Options

50 = Hex. Headed Adj. Screw-Slotted type(SS316L)

10 Options

R = Relieving
N = Non Relieving

11 Gauge

N = No Gauge
G = With Gauge (SS)

(Pr. Gauge will be ATEX approved-50mm)

12 Secondary Pressure Range

A = 0.07 to 0.70 bar (1-10 psi)
C = 0.21 to 2.10 bar (3-30 psi)
E = 0.35 to 3.50 bar (5-50 psi)
F = 0.50 to 5.00 bar (7-70 psi)
K = 0.70 to 7.00 bar (10-100 psi)

13 Port Thread

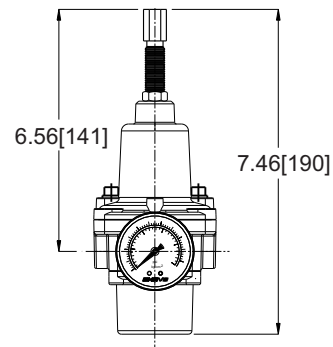
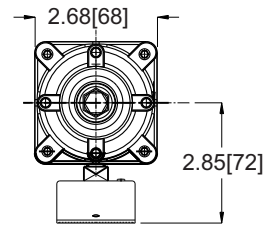
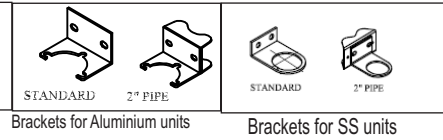
	Main Ports	Gauge Ports
A	NPT	BSPT
B	BSPT	BSPT
G	BSP	BSPT
N	NPT	NPT

14 Elastomer Material

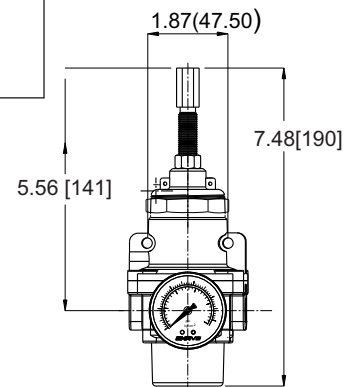
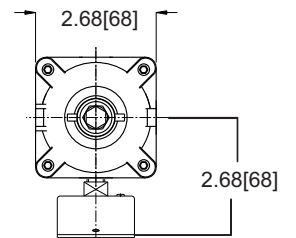
L = Low Temp. Nitrile
[E] = EPDM
[V] = Viton

15 Mounting Bracket

N = No Mounting Bracket
B = Standard Mounting Bracket
P = 2" Pipe Mounting Bracket
E = Direct mounting without bracket



Aluminium



SS316 (casted)

PRECISION REGULATOR

11-4SNR (G 1/4)

16 | 17 | 18 Test / Approval

A	0	0	ATEX
A	0	1	UKEX
A	0	2	UKCA
A	0	3	ATEX, UKEX, EAC Ex, UKCA
A	0	4	ATEX, UKEX, EAC Ex
A	0	5	ATEX, UKEX, UKCA
A	0	6	ATEX, UKEX, EAC Ex
B	0	0	ATEX, CE
B	0	1	ATEX, CE, UKEX, EAC Ex, UKCA
B	0	2	ATEX, CE, UKEX, EAC Ex
B	0	3	ATEX, CE, UKEX, UKCA
B	0	4	ATEX, CE, UKCA, EAC Ex
B	0	5	ATEX, CE, EAC Ex
C	0	0	CE
C	0	1	CE, UKEX, EAC Ex, UKCA
C	0	2	CE, UKEX, EAC Ex
C	0	3	CE, UKEX, UKCA
C	0	4	CE, EAC Ex, UKCA
C	0	5	CE, EAC Ex
D	0	0	ATEX, EAC
D	0	1	ATEX, EAC, UKEX, EAC Ex, UKCA
D	0	2	ATEX, EAC, UKEX, EAC Ex
D	0	3	ATEX, EAC, UKEX, UKCA
D	0	4	ATEX, EAC, EAC Ex, UKCA
E	0	0	EAC
E	0	1	EAC, UKEX, EAC Ex, UKCA
E	0	2	EAC, UKEX, EAC Ex
E	0	3	EAC, UKEX, UKCA
E	0	4	EAC, EAC Ex, UKCA
F	0	0	ATEX, SIL3
F	0	1	ATEX, SIL3, UKEX, EAC Ex, UKCA
F	0	2	ATEX, SIL3, UKEX, EAC Ex
F	0	3	ATEX, SIL3, UKEX, UKCA
F	0	4	ATEX, SIL3, EAC Ex, UKCA
F	0	5	ATEX, SIL3, EAC Ex
G	0	0	CE, EAC
G	0	1	CE, EAC, UKEX, EAC Ex, UKCA
G	0	2	CE, EAC, UKEX, EAC Ex
G	0	3	CE, EAC, UKEX, UKCA
G	0	4	CE, EAC, EAC Ex, UKCA
H	0	0	CE, SIL3
H	0	1	CE, SIL3, UKEX, EAC Ex, UKCA
H	0	2	CE, SIL3, UKEX, EAC Ex
H	0	3	CE, SIL3, UKEX, UKCA
H	0	4	CE, SIL3, EAC Ex, UKCA
H	0	5	CE, SIL3, EAC Ex
J	0	0	EAC, SIL3
J	0	1	EAC, SIL3, UKEX, EAC Ex, UKCA
J	0	2	EAC, SIL3, UKEX, EAC Ex
J	0	3	EAC, SIL3, UKEX, UKCA
J	0	4	EAC, SIL3, EAC Ex, UKCA
K	0	0	CE, EAC, SIL3

PRECISION REGULATOR

11-4SNR (G 1/4)

K	0	1	CE, EAC, SIL3, UKEX, EAC Ex, UKCA
K	0	2	CE, EAC, SIL3, UKEX, UKCA
K	0	3	CE, EAC, SIL3, UKEX, EAC Ex
K	0	4	CE, EAC, SIL3, EAC Ex, UKCA
L	0	0	ATEX, EAC, SIL3
L	0	1	ATEX, EAC, SIL3, UKEX, EAC Ex, UKCA
L	0	2	ATEX, EAC, SIL3, UKEX, EAC Ex
L	0	3	ATEX, EAC, SIL3, UKEX, UKCA
L	0	4	ATEX, EAC, SIL3, EAC Ex, UKCA
M	0	0	ATEX, CE, SIL3
M	0	1	ATEX, CE, SIL3, UKEX, EAC Ex, UKCA
M	0	2	ATEX, CE, SIL3, UKEX, EAC Ex
M	0	3	ATEX, CE, SIL3, UKEX, UKCA
M	0	4	ATEX, CE, SIL3, EAC Ex, UKCA
N	0	0	ATEX, CE, EAC
N	0	1	ATEX, CE, EAC, UKEX, EAC Ex, UKCA
N	0	2	ATEX, CE, EAC, UKEX, EAC Ex
N	0	3	ATEX, CE, EAC, UKEX, UKCA
N	0	4	ATEX, CE, EAC, EAC Ex, UKCA
[O]	[0]	[0]	Other customer special requirement if Any
P	0	0	ATEX, CE, EAC, SIL3
P	0	1	ATEX, CE, EAC, SIL3, UKEX, EAC Ex, UKCA
P	0	2	ATEX, CE, EAC, SIL3, UKEX, EAC Ex
P	0	3	ATEX, CE, EAC, SIL3, UKEX, UKCA
P	0	4	ATEX, CE, EAC, SIL3, EAC Ex, UKCA
Q	0	0	ATEX, EAC Ex
R	0	0	EAC Ex
R	0	1	EAC Ex, UKEX, UKCA
R	0	2	EAC Ex, UKCA
S	0	0	SIL3
S	0	1	SIL3, UKEX, EAC Ex, UKCA
S	0	2	SIL3, UKEX, EAC Ex
S	0	3	SIL3, UKEX, UKCA
S	0	4	SIL3, EAC Ex, UKCA
V	0	0	ATEX, CE, SIL3, EAC Ex
V	0	1	ATEX, CE, SIL3, EAC Ex, UKEX, UKCA
V	0	2	ATEX, CE, SIL3, EAC Ex, UKEX
V	0	3	ATEX, CE, SIL3, EAC Ex, UKCA
X	X	X	STANDARD UNITS WITHOUT ANY CERTIFICATE / APPROVAL
Y	0	0	ATEX, SIL3, EACEx
y	0	1	ATEX, SIL3, EACEx, UKEX, UKCA
Y	0	2	ATEX, SIL3, EAC Ex, UKEX
Y	0	3	ATEX, SIL3, EACEx, UKCA
Z	0	1	CE, SIL3, EAC Ex, UKEX, UKCA
Z	0	2	CE, SIL3, EAC Ex, UKEX
Z	0	3	CE, SIL3, EAC Ex, UKCA

PRECISION REGULATOR

11-4SNR (G 1/4)

19 MOC

M	= Aluminium (Body,Bonnet,Cap)
S	= SS316L (Body,Bonnet,Cap)

20 21 22 Compliance

X	X	X	Standard Unit Without any Complince
A	0	1	RoHS 3 Compliance
A	0	2	REACH Compliance
A	0	3	Copper Free (Only Applicable Aluminium Version)
A	0	4	RoHS3, REACH Compliance
A	0	5	RoHS3, REACH, Copper Free (Only Applicable for Aluminium Version)
A	0	6	RoHS3, Copper Free (Only Applicable for Aluminium Version)
A	0	7	REACH, Copper Free (Only Applicable for Aluminium Version)

Note : Option shown in the [] bracket are special, Please contact Sales HQ/Manufacturing.