

SR67 G 1, G 1½, G 2)

Features

- 'Shavo's' Pressure Regulator Model SR67 is designed as a high-performance product for instrument air use in corrosive atmospheres.
- Applications include marine environments, oil and gas production, chemicals and food processing, medical analysis etc.
- SIL 3 capable as per IEC 61508.
- CE, ATEX, EAC Ex (CUTR 12), EAC(CUTR 10) approved.
- External Metallic parts meet NACE standard MR-01 75*

(*National Association of Corrosion Engineers MR-0175 defines requirements for sulphide stress cracking resistant materials used in oilwells and other corrosive environments.)

PARAMETERS	SPECIFICATIONS
Fluid	Compressed Air
Pipe Sizes	1", 1½", 2"
Port Thread	NPT - Standard BSPT, BSP Optional
Max. Inlet Pressure	30 bar (435 psi)
Max. Operating Temp. (Ambient)	80° C
Material of Construction	Stainless Steel as per AISI 316L
Body, Bonnet	SS 316L with NACE compliance (MR 0175)
Internal parts	SS 316L
External parts	SS 316L with NACE compliance (MR 0175)
Diaphragm Assembly	Synthetic Rubber with PTFE - Standard
Elastomers	Low Temp. Nitrile (NBR) -60°C to +80°C EPDM -35°C to +120°C Fluorocarbon (Viton-FKM) -20°C to +180°C
Standard Nominal Flow Rate at 10 bar (150psi) inlet pressure 6 bar (87 psi) set pr. and a drop of 1 bar (14.5 psi) from set	1" - 480 scfm (226 dm ³ /sec) 1½" - 500 scfm (236 dm ³ /sec) 2" - 525 scfm (248 dm ³ /sec)
CV Value	1" - (9.05) 1½" - (9.45) 2" - (9.90)
Type	Relieving - Std Non-Relieving - Optional
Pressure Adjustment	Hex Headed Adjusting screw - Standard 'T' Handle - Optional
Regulated secondary pressure ranges	1.00 - 10.0 bar (15 - 150 psi) - Standard 0.21 to 2.10 bar (3.0 - 30 psi) - Optional 0.40 - 4.0 bar (6.0 - 60 psi) - Optional 0.86 - 8.6 bar (12.5 - 125 psi) - Optional 1.70 - 17.5 bar (25 - 250 psi) - Optional
Gauge Port (2 nos.)	1/4" BSPT (Fe) - Std. 1/4" NPT (Fe) - Optional
Gauge size (dial size)	50 mm (Nominal)
Mounting	P.M. NUT - Standard Wall Mounting Bracket - Optional
Weight	6 Kgs.

Pressure Gauge (scale) : Kg/cm² (PSI) - Standard (For Domestic Market)
Bar (PSI) - Standard (Export)

Note :

- 1) Pressure gauge will not have CE, EAC, SIL3 and NACE MR 0175 approval.
- 2) Pressure gauge will have ATEX approval.
- 3) PM nut, mounting bracket, grub screw will not have NACE MR 0175 approval.

Size	Flow	Range (psi)	Operation	Model
1" NPT	480 scfm (226 dm ³ /sec)	0 - 8.75 KG/CM2	Relieving	SR67-801-RNLN-NHA
1½ NPT	500 scfm (236 dm ³ /sec)	0 - 8.75 KG/CM2	Relieving	SR67-B01-RNLN-NHA
2" NPT	525 scfm (248 dm ³ /sec)	0 - 8.75 KG/CM2	Relieving	SR67-C01-RNLN-NHA




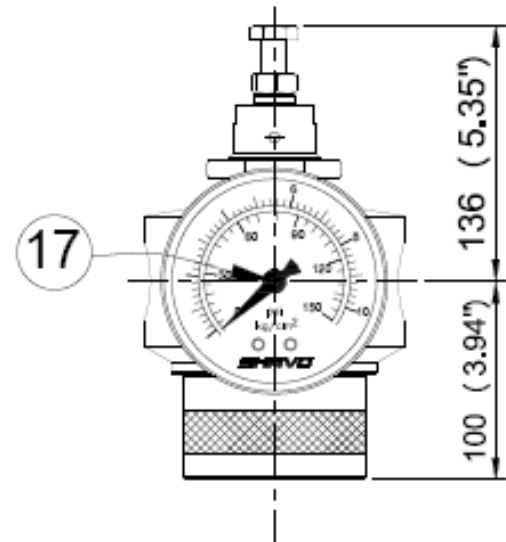
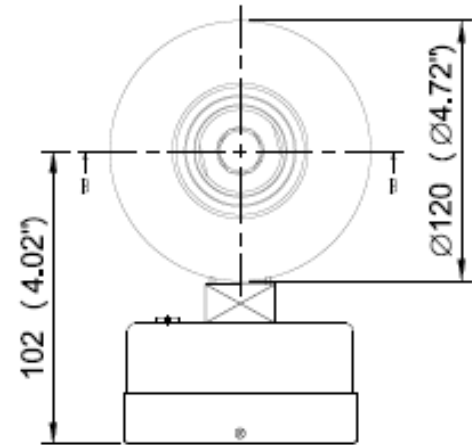
SR67 (G 1, G 1½, G 2)

Option Selector

Sample Model Number → **S R 6 7 - 8 0 0 - R G L A - N H - X X X - X X X**

Position → **0 1 2 3 - 4 5 6 - 7 8 9 10 - 11 12 - 13 14 15 - 16 17 18**

0	S = Shavo															
1 Product	Regulator															
2 3 Series	Larger Series - All SS 316L Unit															
4 Port Size	<table border="0"> <tr><td>8</td><td>=</td><td>1"</td></tr> <tr><td>B</td><td>=</td><td>1½"</td></tr> <tr><td>C</td><td>=</td><td>2"</td></tr> </table>	8	=	1"	B	=	1½"	C	=	2"						
8	=	1"														
B	=	1½"														
C	=	2"														
5 6 Options	<table border="1"> <tr><th colspan="2">Elastomer</th></tr> <tr><td>04</td><td>= Low Temp. Nitrile</td></tr> <tr><td>[01]</td><td>= EPDM</td></tr> <tr><td>[02]</td><td>= Viton</td></tr> </table>	Elastomer		04	= Low Temp. Nitrile	[01]	= EPDM	[02]	= Viton							
Elastomer																
04	= Low Temp. Nitrile															
[01]	= EPDM															
[02]	= Viton															
7 Relief	<table border="0"> <tr><td>R</td><td>=</td><td>Relieving</td></tr> <tr><td>N</td><td>=</td><td>Non Relieving</td></tr> </table>	R	=	Relieving	N	=	Non Relieving									
R	=	Relieving														
N	=	Non Relieving														
8 Gauge	<table border="0"> <tr><td>N</td><td>=</td><td>No. Pr. Gauge</td></tr> <tr><td>G</td><td>=</td><td>With Pr. Gauge Fitted (50 mm) (SS 316 with ATEX approved)</td></tr> </table>	N	=	No. Pr. Gauge	G	=	With Pr. Gauge Fitted (50 mm) (SS 316 with ATEX approved)									
N	=	No. Pr. Gauge														
G	=	With Pr. Gauge Fitted (50 mm) (SS 316 with ATEX approved)														
9 Sec. Pr. Range	<table border="1"> <tr><td>C</td><td>0.21 to 2.10 bar (3.0 - 30 psi)</td></tr> <tr><td>F</td><td>0.40 to 4.0 bar (6.0 - 60 psi)</td></tr> <tr><td>L</td><td>0.86 to 8.6 (12.5 - 125 psi)</td></tr> <tr><td>M</td><td>1.00 to 10.0 bar (15.0 - 150 psi)</td></tr> <tr><td>*[S]</td><td>1.70 to 17.5 bar (25.0 - 250 psi)</td></tr> </table>	C	0.21 to 2.10 bar (3.0 - 30 psi)	F	0.40 to 4.0 bar (6.0 - 60 psi)	L	0.86 to 8.6 (12.5 - 125 psi)	M	1.00 to 10.0 bar (15.0 - 150 psi)	*[S]	1.70 to 17.5 bar (25.0 - 250 psi)					
C	0.21 to 2.10 bar (3.0 - 30 psi)															
F	0.40 to 4.0 bar (6.0 - 60 psi)															
L	0.86 to 8.6 (12.5 - 125 psi)															
M	1.00 to 10.0 bar (15.0 - 150 psi)															
*[S]	1.70 to 17.5 bar (25.0 - 250 psi)															
10 Port Thread	<table border="1"> <thead> <tr><th></th><th>Main Port</th><th>Gauge Port</th></tr> </thead> <tbody> <tr><td>A</td><td>NPT</td><td>BSPT</td></tr> <tr><td>B</td><td>BSPT</td><td>BSPT</td></tr> <tr><td>G</td><td>BSP</td><td>BSPT</td></tr> <tr><td>N</td><td>NPT</td><td>NPT</td></tr> </tbody> </table>		Main Port	Gauge Port	A	NPT	BSPT	B	BSPT	BSPT	G	BSP	BSPT	N	NPT	NPT
	Main Port	Gauge Port														
A	NPT	BSPT														
B	BSPT	BSPT														
G	BSP	BSPT														
N	NPT	NPT														
11 Mounting & Accessories	<table border="0"> <tr><td>N</td><td>=</td><td>No Mounting Bracket</td></tr> <tr><td>B</td><td>=</td><td>Wall Mounting bracket (SS)</td></tr> </table> <div style="text-align: center;">  STANDARD </div>	N	=	No Mounting Bracket	B	=	Wall Mounting bracket (SS)									
N	=	No Mounting Bracket														
B	=	Wall Mounting bracket (SS)														
12 Pr. Adjustment	<table border="0"> <tr><td>H</td><td>=</td><td>HEX headed screw(SS316L)</td></tr> <tr><td>T</td><td>=</td><td>'T' Handle(SS316L)</td></tr> </table>	H	=	HEX headed screw(SS316L)	T	=	'T' Handle(SS316L)									
H	=	HEX headed screw(SS316L)														
T	=	'T' Handle(SS316L)														



SR67 (G 1, G 1½, G 2)

13 14 15 Test / Approval

A	0	0	ATEX
A	0	1	UKEX
A	0	2	UKCA
A	0	3	ATEX, UKEX, EAC Ex, UKCA
A	0	4	ATEX, UKEX, EAC Ex
A	0	5	ATEX, UKEX, UKCA
A	0	6	ATEX, UKEX, EAC Ex
B	0	0	ATEX, CE
B	0	1	ATEX, CE, UKEX, EAC Ex, UKCA
B	0	2	ATEX, CE, UKEX, EAC Ex
B	0	3	ATEX, CE, UKEX, UKCA
B	0	4	ATEX, CE, UKCA, EAC Ex
B	0	5	ATEX, CE, EAC Ex
C	0	0	CE
C	0	1	CE, UKEX, EAC Ex, UKCA
C	0	2	CE, UKEX, EAC Ex
C	0	3	CE, UKEX, UKCA
C	0	4	CE, EAC Ex, UKCA
C	0	5	CE, EAC Ex
D	0	0	ATEX, EAC
D	0	1	ATEX, EAC, UKEX, EAC Ex, UKCA
D	0	2	ATEX, EAC, UKEX, EAC Ex
D	0	3	ATEX, EAC, UKEX, UKCA
D	0	4	ATEX, EAC, EAC Ex, UKCA
E	0	0	EAC
E	0	1	EAC, UKEX, EAC Ex, UKCA
E	0	2	EAC, UKEX, EAC Ex
E	0	3	EAC, UKEX, UKCA
E	0	4	EAC, EAC Ex, UKCA
F	0	0	ATEX, SIL3
F	0	1	ATEX, SIL3, UKEX, EAC Ex, UKCA
F	0	2	ATEX, SIL3, UKEX, EAC Ex
F	0	3	ATEX, SIL3, UKEX, UKCA
F	0	4	ATEX, SIL3, EAC Ex, UKCA
F	0	5	ATEX, SIL3, EAC Ex
G	0	0	CE, EAC
G	0	1	CE, EAC, UKEX, EAC Ex, UKCA
G	0	2	CE, EAC, UKEX, EAC Ex
G	0	3	CE, EAC, UKEX, UKCA
G	0	4	CE, EAC, EAC Ex, UKCA
H	0	0	CE, SIL3
H	0	1	CE, SIL3, UKEX, EAC Ex, UKCA
H	0	2	CE, SIL3, UKEX, EAC Ex
H	0	3	CE, SIL3, UKEX, UKCA
H	0	4	CE, SIL3, EAC Ex, UKCA
H	0	5	CE, SIL3, EAC Ex
J	0	0	EAC, SIL3
J	0	1	EAC, SIL3, UKEX, EAC Ex, UKCA
J	0	2	EAC, SIL3, UKEX, EAC Ex
J	0	3	EAC, SIL3, UKEX, UKCA
J	0	4	EAC, SIL3, EAC Ex, UKCA
K	0	0	CE, EAC, SIL3

SR67 (G 1, G 1½, G 2)

K	0	1	CE, EAC, SIL3, UKEX, EAC Ex, UKCA
K	0	2	CE, EAC, SIL3, UKEX, UKCA
K	0	3	CE, EAC, SIL3, UKEX, EAC Ex
K	0	4	CE, EAC, SIL3, EAC Ex, UKCA
L	0	0	ATEX, EAC, SIL3
L	0	1	ATEX, EAC, SIL3, UKEX, EAC Ex, UKCA
L	0	2	ATEX, EAC, SIL3, UKEX, EAC Ex
L	0	3	ATEX, EAC, SIL3, UKEX, UKCA
L	0	4	ATEX, EAC, SIL3, EAC Ex, UKCA
M	0	0	ATEX, CE, SIL3
M	0	1	ATEX, CE, SIL3, UKEX, EAC Ex, UKCA
M	0	2	ATEX, CE, SIL3, UKEX, EAC Ex
M	0	3	ATEX, CE, SIL3, UKEX, UKCA
M	0	4	ATEX, CE, SIL3, EAC Ex, UKCA
N	0	0	ATEX, CE, EAC
N	0	1	ATEX, CE, EAC, UKEX, EAC Ex, UKCA
N	0	2	ATEX, CE, EAC, UKEX, EAC Ex
N	0	3	ATEX, CE, EAC, UKEX, UKCA
N	0	4	ATEX, CE, EAC, EAC Ex, UKCA
[O]	[0]	[0]	Other customer special requirement if Any
P	0	0	ATEX, CE, EAC, SIL3
P	0	1	ATEX, CE, EAC, SIL3, UKEX, EAC Ex, UKCA
P	0	2	ATEX, CE, EAC, SIL3, UKEX, EAC Ex
P	0	3	ATEX, CE, EAC, SIL3, UKEX, UKCA
P	0	4	ATEX, CE, EAC, SIL3, EAC Ex, UKCA
Q	0	0	ATEX, EAC Ex
R	0	0	EAC Ex
R	0	1	EAC Ex, UKEX, UKCA
R	0	2	EAC Ex, UKCA
S	0	0	SIL3
S	0	1	SIL3, UKEX, EAC Ex, UKCA
S	0	2	SIL3, UKEX, EAC Ex
S	0	3	SIL3, UKEX, UKCA
S	0	4	SIL3, EAC Ex, UKCA
V	0	0	ATEX, CE, SIL3, EAC Ex
V	0	1	ATEX, CE, SIL3, EAC Ex, UKEX, UKCA
V	0	2	ATEX, CE, SIL3, EAC Ex, UKEX
V	0	3	ATEX, CE, SIL3, EAC Ex, UKCA
X	X	X	STANDARD UNITS WITHOUT ANY CERTIFICATE / APPROVAL
Y	0	0	ATEX, SIL3, EACEx
y	0	1	ATEX, SIL3, EACEx, UKEX, UKCA
Y	0	2	ATEX, SIL3, EAC Ex, UKEX
Y	0	3	ATEX, SIL3, EACEx, UKCA
Z	0	1	CE, SIL3, EAC Ex, UKEX, UKCA
Z	0	2	CE, SIL3, EAC Ex, UKEX
Z	0	3	CE, SIL3, EAC Ex, UKCA

SR67 (G 1, G 1½, G 2)

16 17 18 Compliance

X	X	X	Standard Unit Without any Compliance
A	0	1	RoHS 3 Compliance
A	0	2	REACH Compliance
A	0	3	Copper Free (Only Applicable Aluminium Version)
A	0	4	RoHS3, REACH Compliance
A	0	5	RoHS3, REACH, Copper Free (Only Applicable for Aluminium Version)
A	0	6	RoHS3, Copper Free (Only Applicable for Aluminium Version)
A	0	7	REACH, Copper Free (Only Applicable for Aluminium Version)

Note : Options shown in [] bracket are special, please consult manufacturing
 * [S] Option available with hex headed pressure adjustment onl .