

SR77 (G 1/8, G1/4)

Features

- 'Shavo's' Pressure Regulator Model SR77 is designed as a high-performance product for instrument air use in corrosive atmospheres.
- Applications include marine environments, oil and gas production, chemicals and food processing, medical analysis etc.
- SIL 3 capable as per IEC 61508.
- CE, ATEX, EAC Ex (CUTR 12), EAC(CUTR 10) approved.
- External Metallic parts meet NACE standard MR-01 75*

(*National Association of Corrosion Engineers MR-0175 defines requirements for sulphide stress cracking resistant materials used in oilwells and other corrosive environments.)

PARAMETERS	SPECIFICATIONS
Fluid	Compressed Air
Pipe Sizes	1/8", 1/4"
Port Thread	NPT - Standard BSPT, BSP - Optional
Max. Inlet Pressure	30 bar (435 psi)
Max. Operating Temp. (Ambient)	+80° C
Material of Construction	Stainless Steel as per AISI 316L
Body, Bonnet	SS 316 with NACE compliance (MR 0175)
Internal parts	SS 316L
External parts	SS 316L with NACE compliance (MR 0175)
Diaphragm Assembly	Synthetic Rubber without PTFE - Standard
Elastomers	Low Temp. Nitrile (LNBR) -60°C to +80°C (Std) EPDM -35°C to +120°C Fluorocarbon (Viton-FKM) -20°C to +180°C
Standard Nominal Flow Rate at 10 bar (150psi) inlet pressure 6 bar (87 psi) set pr. and a drop of 1 bar (14.5 psi) from set	1/8" - 19 scfm (8.9 dm ³ /sec) 1/4" - 21 scfm (9.8 dm ³ /sec)
CV Value	1/8" - (0.35) 1/4" - (0.39)
Type	Relieving - Std Non-Relieving - Optional
Pressure Adjustment	Allen Head Adjusting screw.
Regulated secondary pressure ranges	0.70 - 7.0 bar (10.0 - 100 psi) - Standard 0.07 - 0.70 bar (1 - 10 psi) - Optional 0.21 - 2.10 bar (3 - 30 psi) - Optional 0.35 - 3.50 bar (5 - 50 psi) - Optional 1.00 - 10.0 bar (15 - 150 psi) - Optional
Gauge Port (2 nos.)	1/8" BSPT (Fe) - Std. 1/8" NPT (Fe) - Optional
Gauge size (dial size)	50 mm (Nominal)
Mounting	P.M. NUT - Standard Wall Mounting Bracket - Optional
Weight	0.3 Kgs.



Pressure Gauge (scale) : Kg/cm² (PSI) - Standard (For Domestic Market)
Bar (PSI) - Standard (Export)

Note :

- 1) Pressure gauge will not have CE, EAC, SIL3 and NACE MR 0175 approval.
- 2) Pressure gauge will have ATEX approval.
- 3) PM nut, mounting bracket, grub screw will not have NACE MR 0175 approval.

Size	Flow	Range (psi)	Operation	Model
G 1/8	19 scfm (8.9 dm ³ /sec)	10-100 psi	Relieving	SR77-172-RNKAN-A
G 1/4	21 scfm (9.8 dm ³ /sec)	10-100 psi	Relieving	SR77-272-RNKAN-A

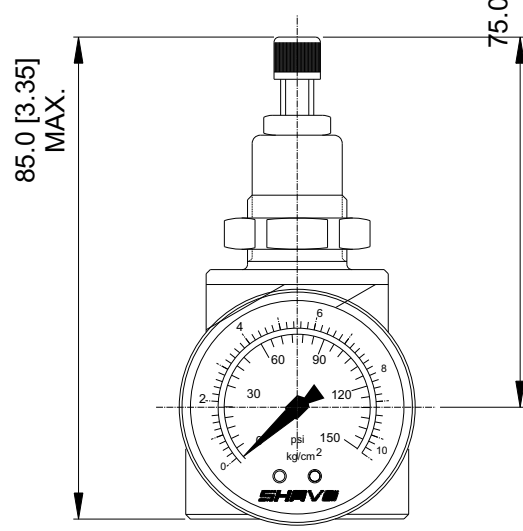
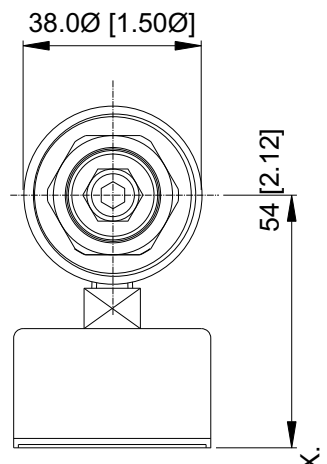
SR77 (G 1/8, G1/4)

Option Selector

Sample Model Number → **S R 7 7 - 2 2 1 - R N K A N - X X X - X X X**

Position → **0 1 2 3 - 4 5 6 - 7 8 9 10 11 - 12 13 14 - 15 16 17**

0	S = Shavo															
1 Product	Regulator															
2 3 Series	77 = Miniature with S.S.316L (MOC)															
4 Port Size	1 = 1/8" 2 = 1/4"															
5 6 Options	<table border="1"> <thead> <tr> <th>Bonnet Material</th> <th colspan="3">Elastomer Material</th> </tr> </thead> <tbody> <tr> <td>SS 316L</td> <td>Low Temp. Nitrile 75</td> <td>EPDM [72]</td> <td>Viton [73]</td> </tr> </tbody> </table>	Bonnet Material	Elastomer Material			SS 316L	Low Temp. Nitrile 75	EPDM [72]	Viton [73]							
Bonnet Material	Elastomer Material															
SS 316L	Low Temp. Nitrile 75	EPDM [72]	Viton [73]													
7 Relief	R = Relieving N = Non Relieving															
8 Gauge	N = No. Pr. Gauge G = With Pr. Gauge Fitted (S.S) (SS 316 with ATEX approved)															
9 Sec. Pr. Range	<table border="1"> <tbody> <tr> <td>A</td> <td>0.07 - 0.7 bar (1-10 psi)</td> </tr> <tr> <td>C</td> <td>0.21-2.1 bar (3-30 psi)</td> </tr> <tr> <td>E</td> <td>0.35-3.5 bar (5-50 psi)</td> </tr> <tr> <td>K</td> <td>0.70-7.0 bar (10-100 psi)</td> </tr> <tr> <td>M</td> <td>1.0-10.0bar (15-150 psi)</td> </tr> </tbody> </table>	A	0.07 - 0.7 bar (1-10 psi)	C	0.21-2.1 bar (3-30 psi)	E	0.35-3.5 bar (5-50 psi)	K	0.70-7.0 bar (10-100 psi)	M	1.0-10.0bar (15-150 psi)					
A	0.07 - 0.7 bar (1-10 psi)															
C	0.21-2.1 bar (3-30 psi)															
E	0.35-3.5 bar (5-50 psi)															
K	0.70-7.0 bar (10-100 psi)															
M	1.0-10.0bar (15-150 psi)															
10 Port Thread	<table border="1"> <thead> <tr> <th></th> <th>Main Port</th> <th>Gauge Port</th> </tr> </thead> <tbody> <tr> <td>A</td> <td>NPT</td> <td>BSPT</td> </tr> <tr> <td>B</td> <td>BSPT</td> <td>BSPT</td> </tr> <tr> <td>G</td> <td>BSP</td> <td>BSPT</td> </tr> <tr> <td>N</td> <td>NPT</td> <td>NPT</td> </tr> </tbody> </table>		Main Port	Gauge Port	A	NPT	BSPT	B	BSPT	BSPT	G	BSP	BSPT	N	NPT	NPT
	Main Port	Gauge Port														
A	NPT	BSPT														
B	BSPT	BSPT														
G	BSP	BSPT														
N	NPT	NPT														
11 Mounting & Accessories	<table border="1"> <tbody> <tr> <td>N</td> <td>= No Mounting Bracket</td> <td></td> </tr> <tr> <td>B</td> <td>= Wall Mounting bracket (SS)</td> <td></td> </tr> <tr> <td>[P]</td> <td>= 2" Pipe Mounting bracket</td> <td></td> </tr> </tbody> </table>	N	= No Mounting Bracket		B	= Wall Mounting bracket (SS)		[P]	= 2" Pipe Mounting bracket							
N	= No Mounting Bracket															
B	= Wall Mounting bracket (SS)															
[P]	= 2" Pipe Mounting bracket															



SR77 (G 1/8, G1/4)

12 13 14 Test / Approval

A	0	0	ATEX
A	0	1	UKEX
A	0	2	UKCA
A	0	3	ATEX, UKEX, EAC Ex, UKCA
A	0	4	ATEX, UKEX, EAC Ex
A	0	5	ATEX, UKEX, UKCA
A	0	6	ATEX, UKEX, EAC Ex
B	0	0	ATEX, CE
B	0	1	ATEX, CE, UKEX, EAC Ex, UKCA
B	0	2	ATEX, CE, UKEX, EAC Ex
B	0	3	ATEX, CE, UKEX, UKCA
B	0	4	ATEX, CE, UKCA, EAC Ex
B	0	5	ATEX, CE, EAC Ex
C	0	0	CE
C	0	1	CE, UKEX, EAC Ex, UKCA
C	0	2	CE, UKEX, EAC Ex
C	0	3	CE, UKEX, UKCA
C	0	4	CE, EAC Ex, UKCA
C	0	5	CE, EAC Ex
D	0	0	ATEX, EAC
D	0	1	ATEX, EAC, UKEX, EAC Ex, UKCA
D	0	2	ATEX, EAC, UKEX, EAC Ex
D	0	3	ATEX, EAC, UKEX, UKCA
D	0	4	ATEX, EAC, EAC Ex, UKCA
E	0	0	EAC
E	0	1	EAC, UKEX, EAC Ex, UKCA
E	0	2	EAC, UKEX, EAC Ex
E	0	3	EAC, UKEX, UKCA
E	0	4	EAC, EAC Ex, UKCA
F	0	0	ATEX, SIL3
F	0	1	ATEX, SIL3, UKEX, EAC Ex, UKCA
F	0	2	ATEX, SIL3, UKEX, EAC Ex
F	0	3	ATEX, SIL3, UKEX, UKCA
F	0	4	ATEX, SIL3, EAC Ex, UKCA
F	0	5	ATEX, SIL3, EAC Ex
G	0	0	CE, EAC
G	0	1	CE, EAC, UKEX, EAC Ex, UKCA
G	0	2	CE, EAC, UKEX, EAC Ex
G	0	3	CE, EAC, UKEX, UKCA
G	0	4	CE, EAC, EAC Ex, UKCA
H	0	0	CE, SIL3
H	0	1	CE, SIL3, UKEX, EAC Ex, UKCA
H	0	2	CE, SIL3, UKEX, EAC Ex
H	0	3	CE, SIL3, UKEX, UKCA
H	0	4	CE, SIL3, EAC Ex, UKCA
H	0	5	CE, SIL3, EAC Ex
J	0	0	EAC, SIL3
J	0	1	EAC, SIL3, UKEX, EAC Ex, UKCA
J	0	2	EAC, SIL3, UKEX, EAC Ex
J	0	3	EAC, SIL3, UKEX, UKCA
J	0	4	EAC, SIL3, EAC Ex, UKCA
K	0	0	CE, EAC, SIL3

SR77 (G 1/8, G1/4)

K	0	1	CE, EAC, SIL3, UKEX, EAC Ex, UKCA
K	0	2	CE, EAC, SIL3, UKEX, UKCA
K	0	3	CE, EAC, SIL3, UKEX, EAC Ex
K	0	4	CE, EAC, SIL3, EAC Ex, UKCA
L	0	0	ATEX, EAC, SIL3
L	0	1	ATEX, EAC, SIL3, UKEX, EAC Ex, UKCA
L	0	2	ATEX, EAC, SIL3, UKEX, EAC Ex
L	0	3	ATEX, EAC, SIL3, UKEX, UKCA
L	0	4	ATEX, EAC, SIL3, EAC Ex, UKCA
M	0	0	ATEX, CE, SIL3
M	0	1	ATEX, CE, SIL3, UKEX, EAC Ex, UKCA
M	0	2	ATEX, CE, SIL3, UKEX, EAC Ex
M	0	3	ATEX, CE, SIL3, UKEX, UKCA
M	0	4	ATEX, CE, SIL3, EAC Ex, UKCA
N	0	0	ATEX, CE, EAC
N	0	1	ATEX, CE, EAC, UKEX, EAC Ex, UKCA
N	0	2	ATEX, CE, EAC, UKEX, EAC Ex
N	0	3	ATEX, CE, EAC, UKEX, UKCA
N	0	4	ATEX, CE, EAC, EAC Ex, UKCA
[O]	[0]	[0]	Other customer special requirement if Any
P	0	0	ATEX, CE, EAC, SIL3
P	0	1	ATEX, CE, EAC, SIL3, UKEX, EAC Ex, UKCA
P	0	2	ATEX, CE, EAC, SIL3, UKEX, EAC Ex
P	0	3	ATEX, CE, EAC, SIL3, UKEX, UKCA
P	0	4	ATEX, CE, EAC, SIL3, EAC Ex, UKCA
Q	0	0	ATEX, EAC Ex
R	0	0	EAC Ex
R	0	1	EAC Ex, UKEX, UKCA
R	0	2	EAC Ex, UKCA
S	0	0	SIL3
S	0	1	SIL3, UKEX, EAC Ex, UKCA
S	0	2	SIL3, UKEX, EAC Ex
S	0	3	SIL3, UKEX, UKCA
S	0	4	SIL3, EAC Ex, UKCA
V	0	0	ATEX, CE, SIL3, EAC Ex
V	0	1	ATEX, CE, SIL3, EAC Ex, UKEX, UKCA
V	0	2	ATEX, CE, SIL3, EAC Ex, UKEX
V	0	3	ATEX, CE, SIL3, EAC Ex, UKCA
X	X	X	STANDARD UNITS WITHOUT ANY CERTIFICATE / APPROVAL
Y	0	0	ATEX, SIL3, EACEx
y	0	1	ATEX, SIL3, EACEx, UKEX, UKCA
Y	0	2	ATEX, SIL3, EAC Ex, UKEX
Y	0	3	ATEX, SIL3, EACEx, UKCA
Z	0	1	CE, SIL3, EAC Ex, UKEX, UKCA
Z	0	2	CE, SIL3, EAC Ex, UKEX
Z	0	3	CE, SIL3, EAC Ex, UKCA

SR77 (G 1/8, G1/4)

15 16 17 Compliance

X	X	X	Standard Unit Without any Compliance
A	0	1	RoHS 3 Compliance
A	0	2	REACH Compliance
A	0	3	Copper Free (Only Applicable Aluminium Version)
A	0	4	RoHS3, REACH Compliance
A	0	5	RoHS3, REACH, Copper Free (Only Applicable for Aluminium Version)
A	0	6	RoHS3, Copper Free (Only Applicable for Aluminium Version)
A	0	7	REACH, Copper Free (Only Applicable for Aluminium Version)

Note : Panel mounting nut is standard

Options shown in [] bracket are special, please contact manufacturing.